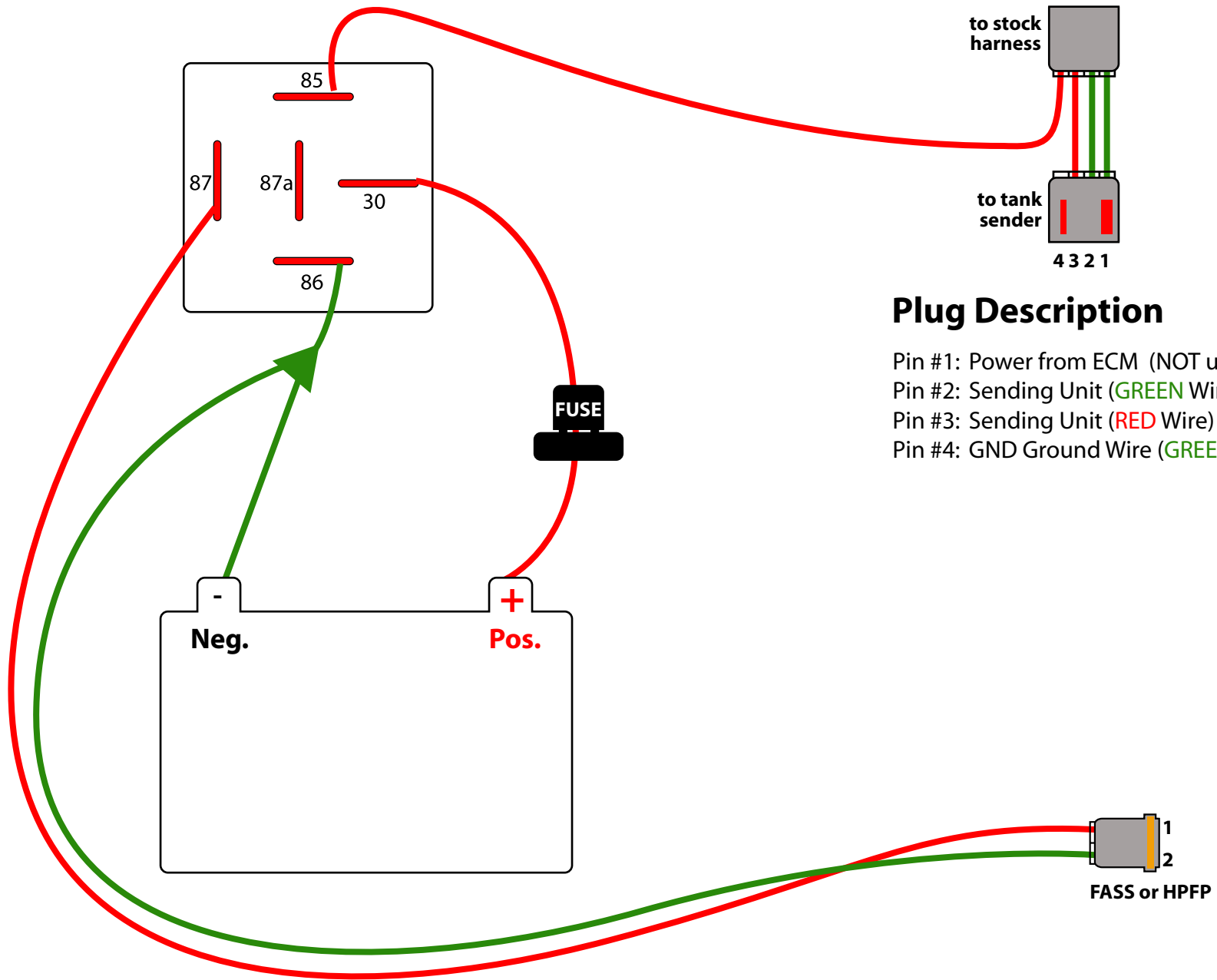


FASS / HPFP Wiring Harness WH-1004 Schematic



Plug Description

- Pin #1: Power from ECM (NOT used on male end)
- Pin #2: Sending Unit (GREEN Wire)
- Pin #3: Sending Unit (RED Wire)
- Pin #4: GND Ground Wire (GREEN)