

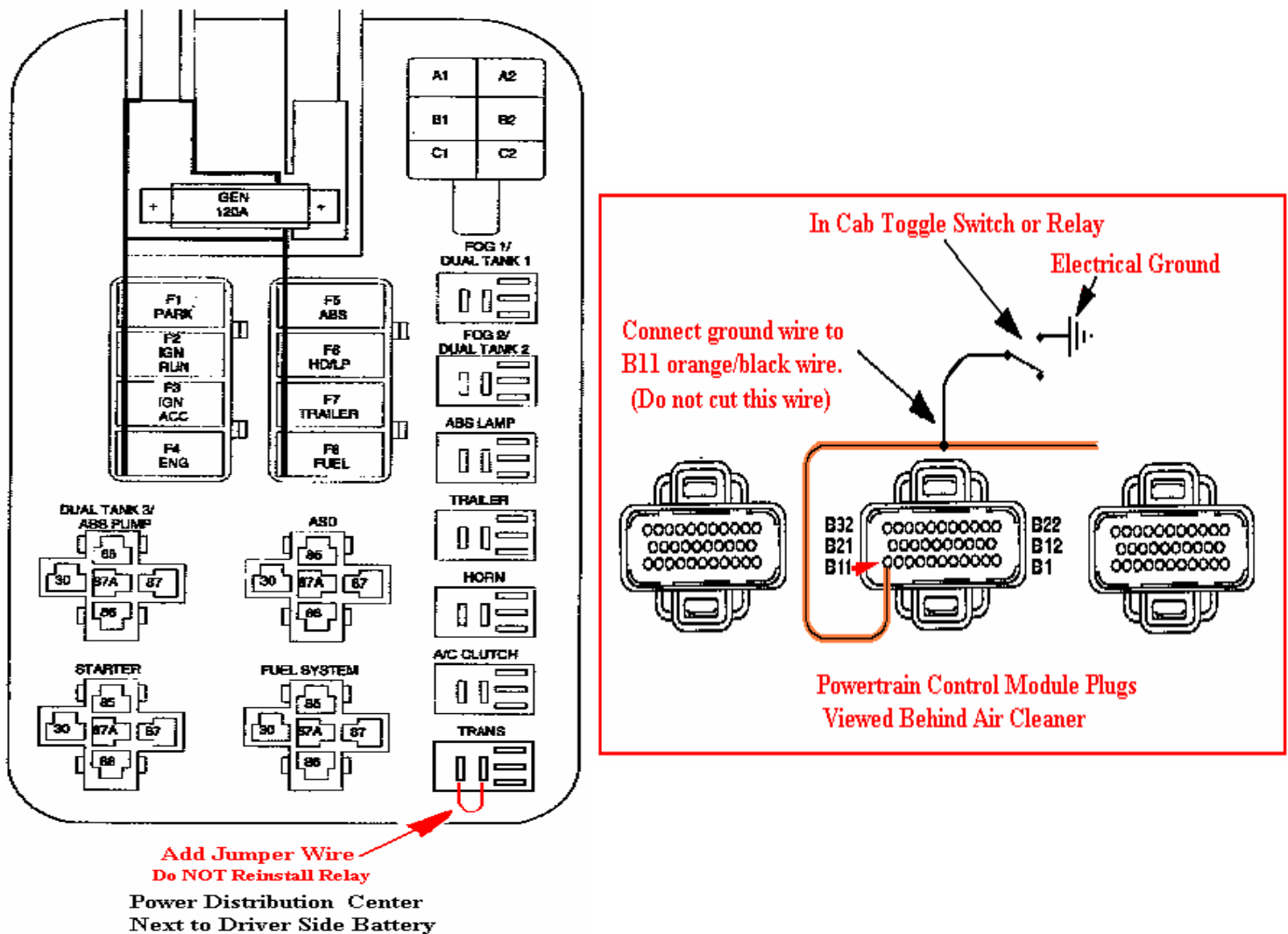
## Torque Converter Lockup Switch for '96-'02 Ram

The addition and use of a torque converter lockup switch can improve 0 to 60 mph times by 3-5 seconds, improve your ability to stay in higher gear when pulling heavy loads, and improves braking in 3<sup>rd</sup> and 4<sup>th</sup> gears when using an exhaust brake. The following diagram is supplied at no cost or obligation. Note that use of this method of lockup may be hard on vehicle drivetrain and may void vehicle drivetrain warranty. Use makes vehicle drive like a manual transmission in 4<sup>th</sup> gear such that vehicle may/will stall at low speeds/stops if lockup is not disconnected.

1. Install jumper wire in place of the trans relay in the Power Distribution Center (black box behind driver side battery) as shown in diagram below. This jumper wire will supply 12 volt positive to the transmission torque converter clutch solenoid. This jumper will be electrically hot thus it should be installed so as not to short against ground.
2. Install ground wire from the B11 orange wire with black stripe to a switch or relay such that the ground source can be turned on and off. The B11 wire is located in the middle computer connector located on the firewall behind the air cleaner.

Driver must ground the B11 wire, have gear selector in Drive, and be moving fast enough to be in second gear before the torque converter clutch will engage. Transmission will shift from 2<sup>nd</sup> to 3<sup>rd</sup>, and 3<sup>rd</sup> to 4<sup>th</sup> (unless Overdrive is off) with the torque converter clutch locked. Once in 4<sup>th</sup>, the transmission will not downshift unless the ground source is interrupted, i.e. the switch is turned off.

**NOTE: Some Rams built between 9-95 to 4-96 have computer programming that does not permit this lockup feature to work as described above. Dodge dealers have the ability to reflash the computer to a newer program which prevents hunting among 3<sup>rd</sup>, 4<sup>th</sup> and lockup, and allows this added lockup switch to function. Dealers may charge you for this reflash service.**



**NOTE: Some Rams have the TRANS relay located in a different position than shown in the above diagram. Consult the diagram on the underside of your PDC cover to determine the exact location of your TRANS relay.**

## Torque Converter Lockup Switch for '94-'95 Ram

The addition and use of a torque converter lockup switch can improve 0 to 60 mph times by 3-5 seconds, improve your ability to stay in higher gear when pulling heavy loads, and improves braking in 3<sup>rd</sup> and 4<sup>th</sup> gears when using an exhaust brake. The following diagram is supplied at no cost or obligation. Note that use of this method of lockup may be hard on vehicle drivetrain and may void vehicle drivetrain warranty. Use makes vehicle drive like a manual transmission in 4<sup>th</sup> gear such that vehicle may/will stall at low speeds/stops if lockup is not disconnected.

Install ground wire from the pin 54 orange wire with black stripe to a switch or relay such that the ground source can be turned on and off. The pin 54 orange wire with black stripe is located in computer connector located on the firewall behind the air cleaner.

Driver must ground the pin 54 wire, have gear selector in Drive, and be moving fast enough to be in second gear before the torque converter clutch will engage. Transmission will shift from 2<sup>nd</sup> to 3<sup>rd</sup>, and 3<sup>rd</sup> to 4<sup>th</sup> (unless Overdrive is off) with the torque converter clutch locked. Once in 4<sup>th</sup>, the transmission will not downshift unless the ground source is interrupted, i.e. the switch is turned off.

