

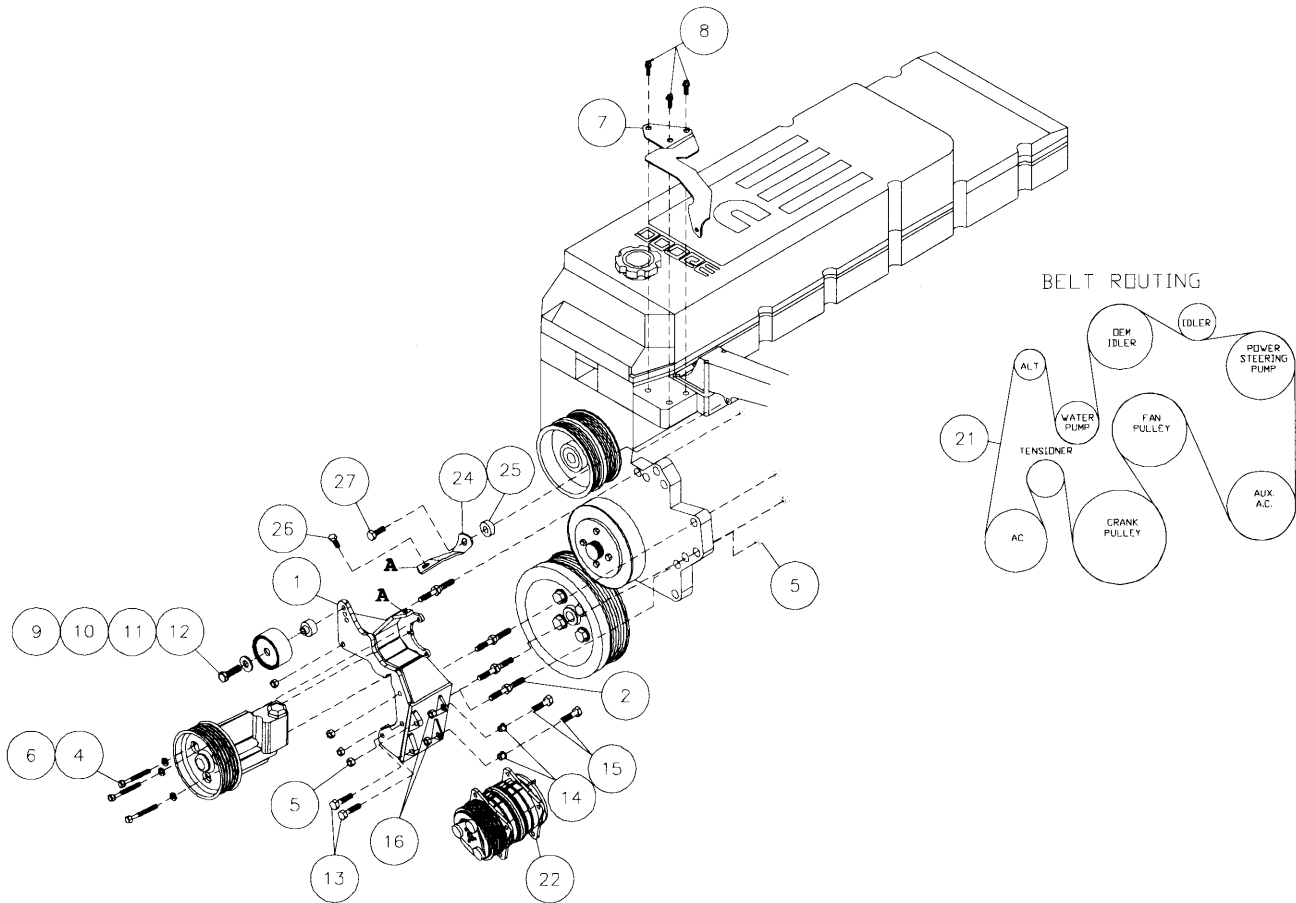
# DMK 57SD508-I8 Belts

2007-2009 Dodge Truck 2500-4500

Sterling Bullet 3500-4500

6.7 Cummins Diesel

W-AC



## PARTS LIST

- |     |                             |     |                                  |
|-----|-----------------------------|-----|----------------------------------|
| 1.  | DMP57SD508-I8 (1)           | 15. | 10mm x 40mm Flange Bolt (2)      |
| 2.  | 8mm Stud 08075-1.24 ST (4)  | 16. | 10mm Flange Nut (2)              |
| 3.  | 8mm Nut (1)                 | 17. | 14"-5/8 Oil Hose (1)             |
| 4.  | 8mm LW (3)                  | 18. | #10 Hose Clamp (2)               |
| 5.  | 8mm Flange Nut (8)          | 19. | 5/8 Double Ended Hose Barb (1)   |
| 6.  | 8mm X 70mm Bolt (3)         | 20. | 15" Plastic Tie (1)              |
| 7.  | DMB563 (1)                  | 21. | 5081300 Belt (1)                 |
| 8.  | 10mm X 20mm Flange Bolt (3) | 22. | 1007863 Rubber Grommet (1)       |
| 9.  | 10mm x 45mm Bolt (1)        | 23. | 8mm x 45mm Bolt (1)              |
| 10. | 3/8 FW (1)                  | 24. | DMB 574 Power Steering Brace (1) |
| 11. | 89016 Dayco (1)             | 25. | SP64-0.375 (1)                   |
| 12. | DMB 562 (1)                 | 26. | 8mm x 12mm Flange Bolt (1)       |
| 13. | 10mm x 30mm Flange Bolt (2) | 27. | 8mm x 30mm Flange Bolt (1)       |
| 14. | 1255-0090 Slide Bushing (2) |     |                                  |