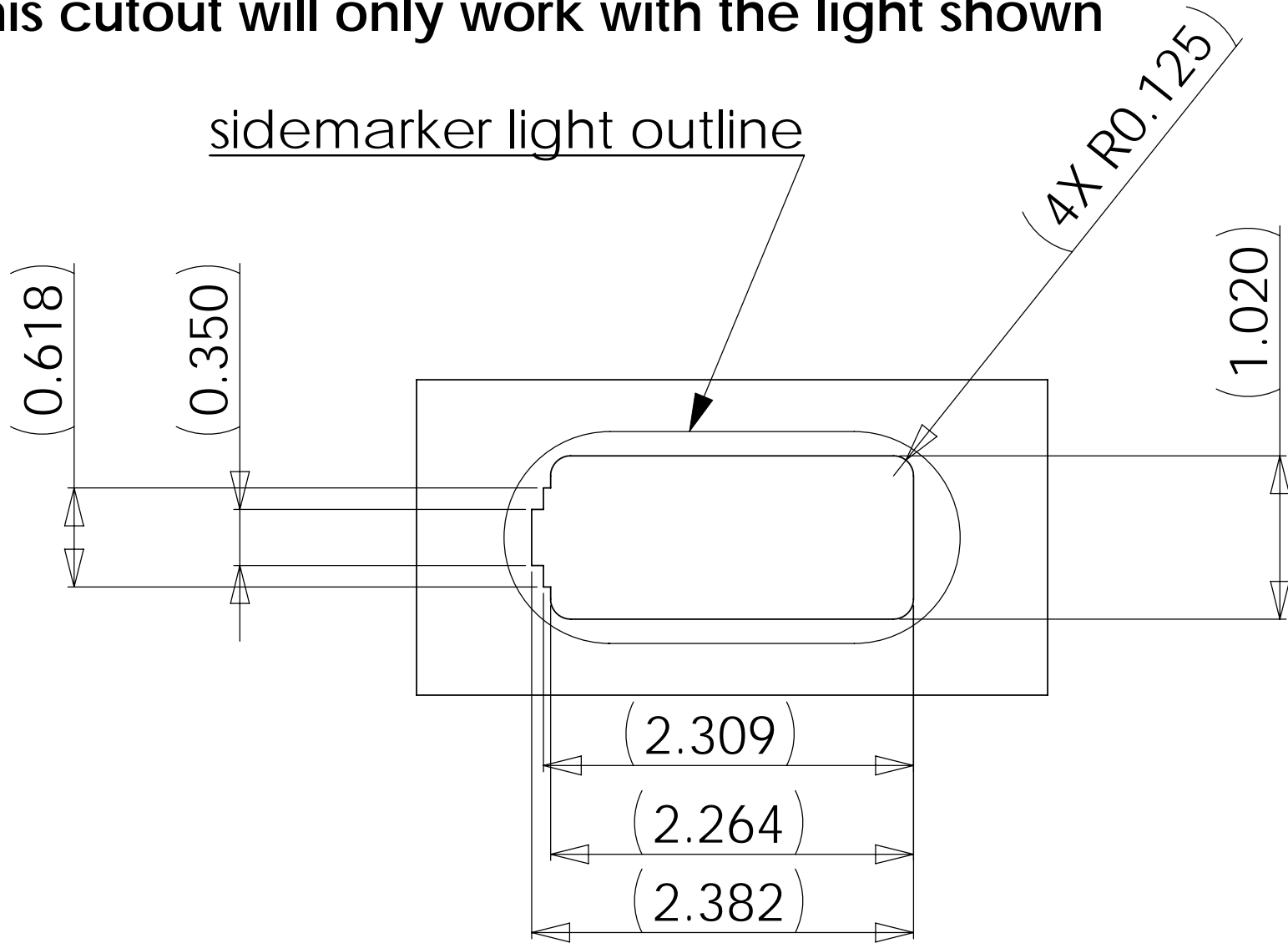


This cutout will only work with the light shown

sidemarker light outline



PROPRIETARY AND CONFIDENTIAL
 THE INFORMATION CONTAINED IN THIS DRAWING IS THE SOLE PROPERTY OF <INSERT COMPANY NAME HERE>. ANY REPRODUCTION IN PART OR AS A WHOLE WITHOUT THE WRITTEN PERMISSION OF <INSERT COMPANY NAME HERE> IS PROHIBITED.

		DIMENSIONS ARE IN INCHES TOLERANCES: FRACTIONAL ± ANGULAR: MACH ± BEND ± TWO PLACE DECIMAL ± THREE PLACE DECIMAL ±		NAME	DATE	<COMPANY NAME>	
		MATERIAL --		DRAWN			
		FINISH --		CHECKED		SIZE DWG. NO. REV. A	
NEXT ASSY	USED ON			ENG APPR.			
APPLICATION		DO NOT SCALE DRAWING		MFG APPR.			
				Q.A.		SCALE:1:1 WEIGHT: SHEET 1 OF 1	
				COMMENTS:			