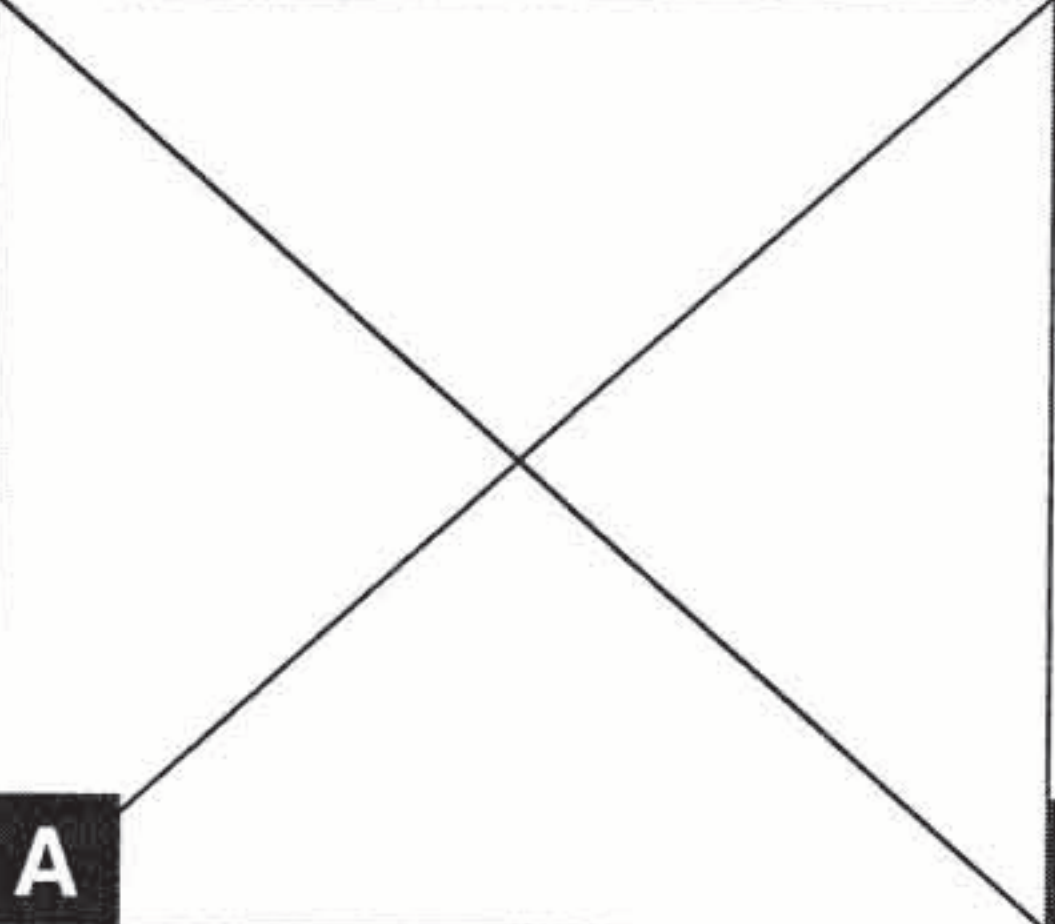




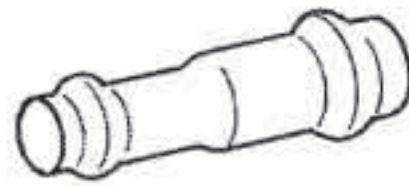
A



5/8" - 5/8"

B

2X



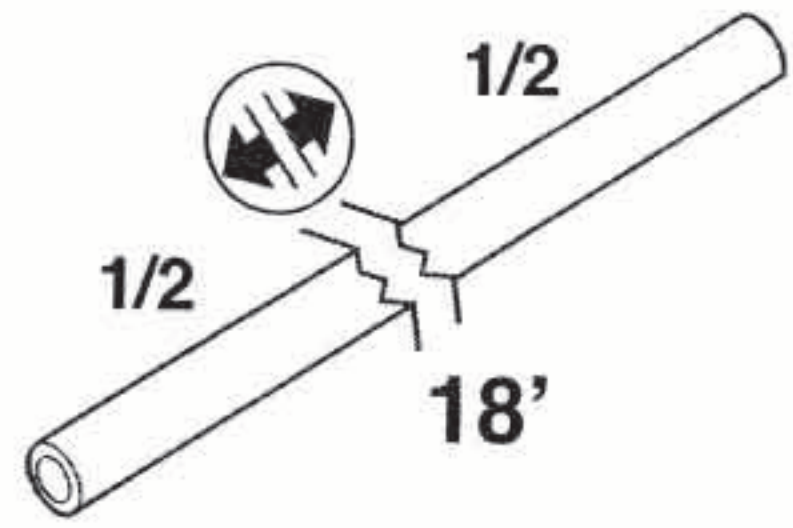
3/4" - 5/8"

C

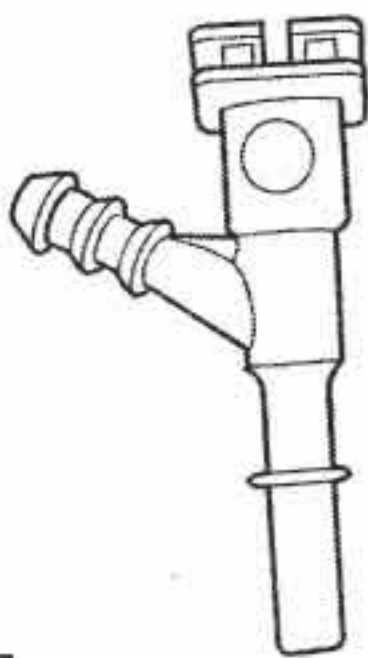
2X



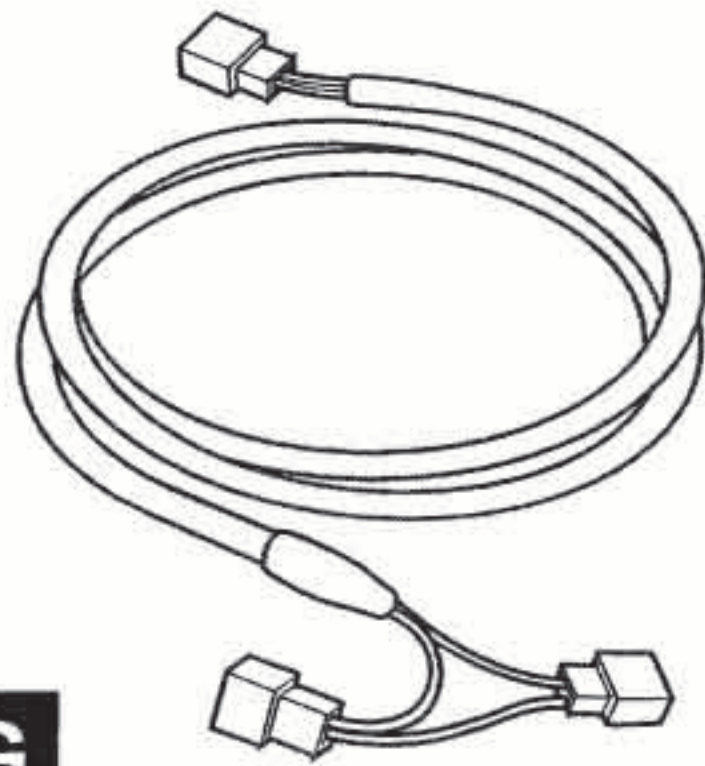
D



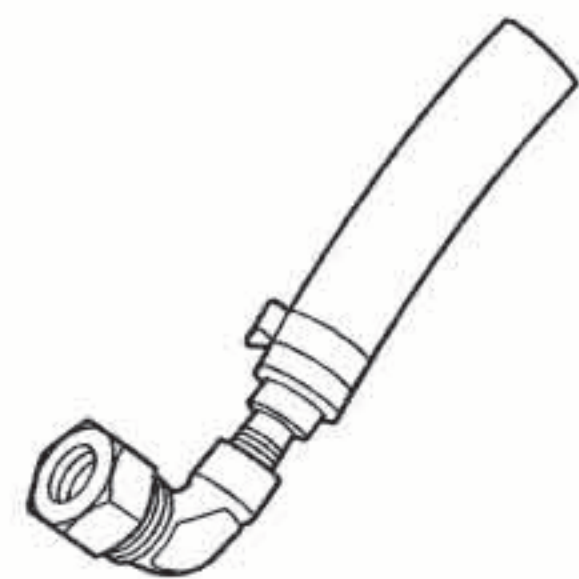
E



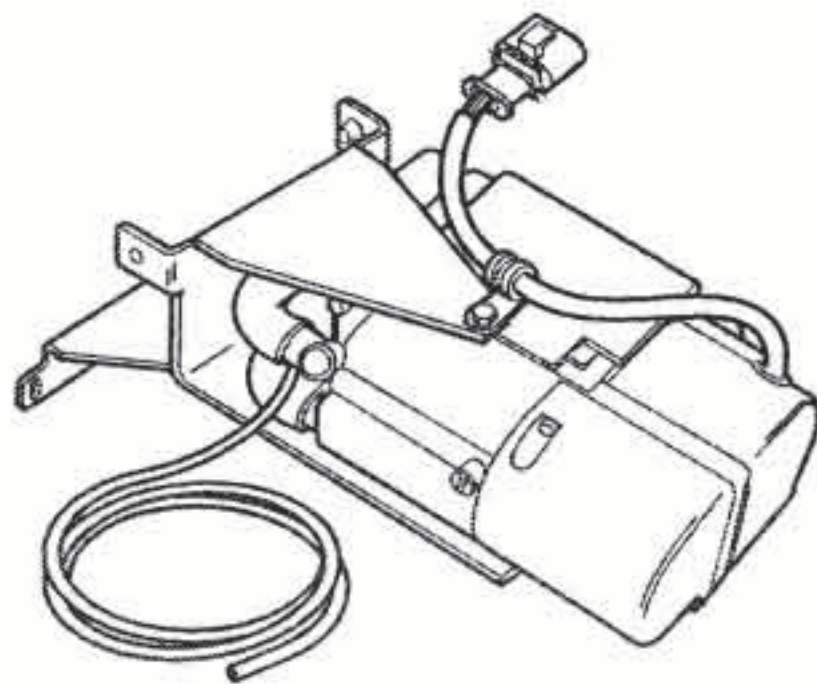
F



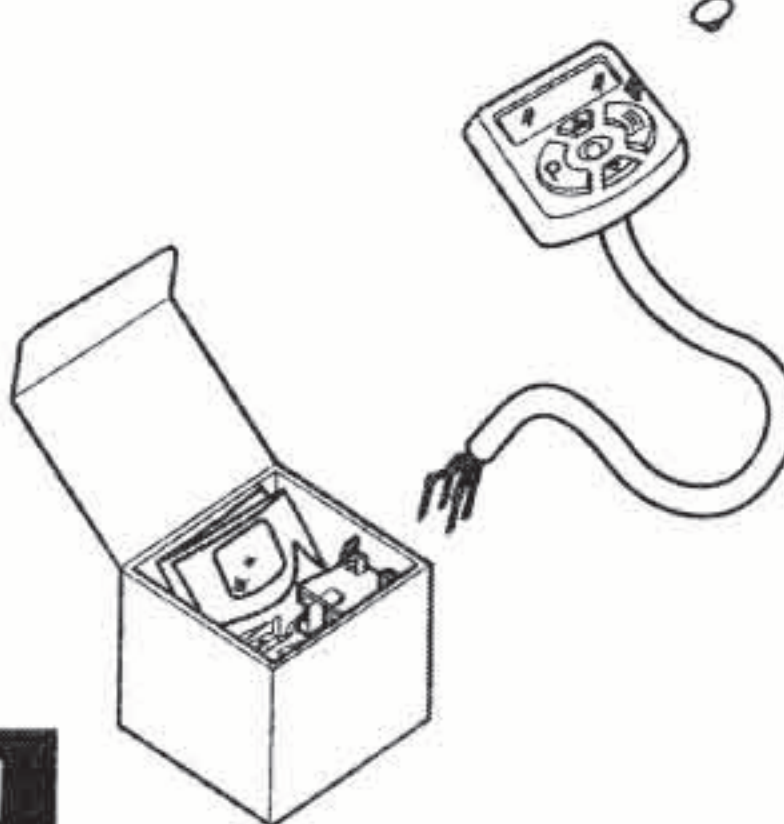
G



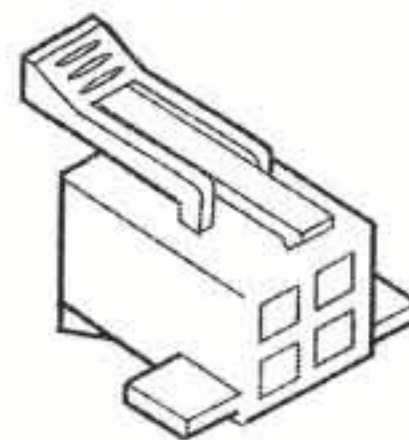
H



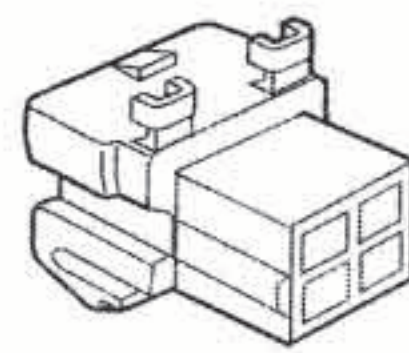
I



J

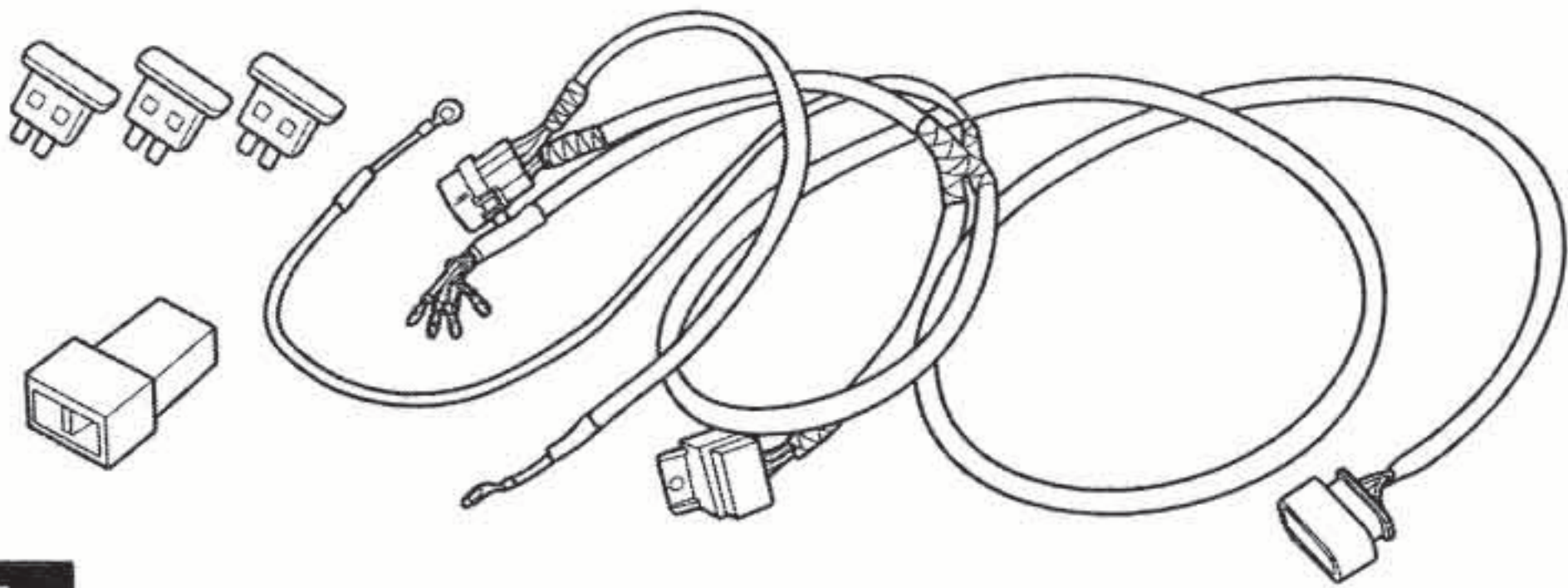


S1



B1

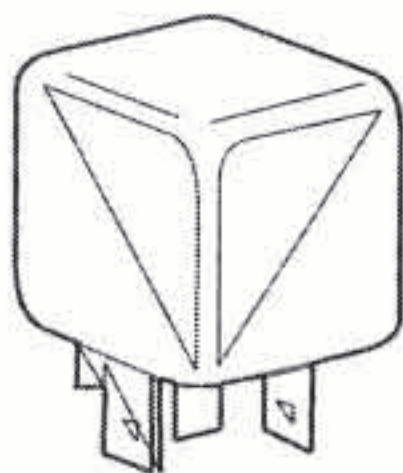
K



L



AA



BB



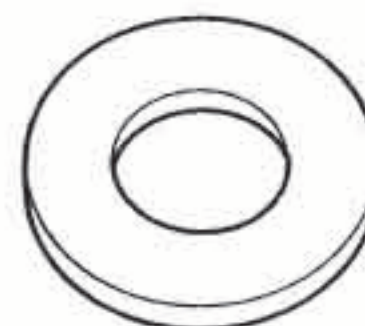
4.2 X 19 MM

CC 3X



6 MM

DD 5X



6 MM

EE 5X



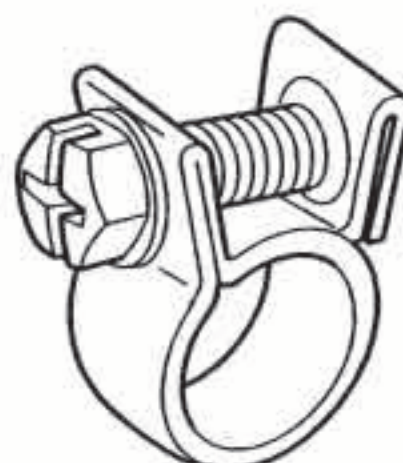
8 X 25 MM

FF 4X



3/4 INCH

GG 2X



14 MM

HH



13 MM

II 4X



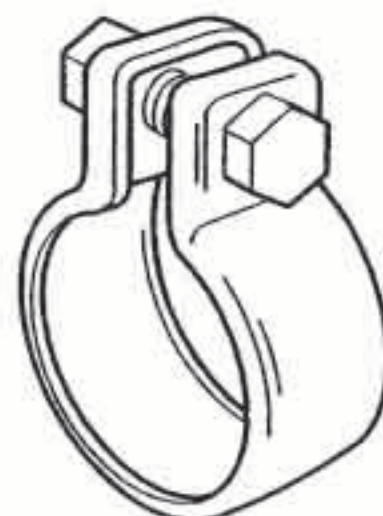
5/8 INCH

JJ 6X



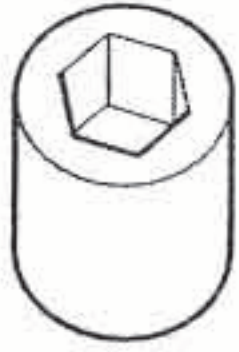
197 MM

KK 30x



26 MM

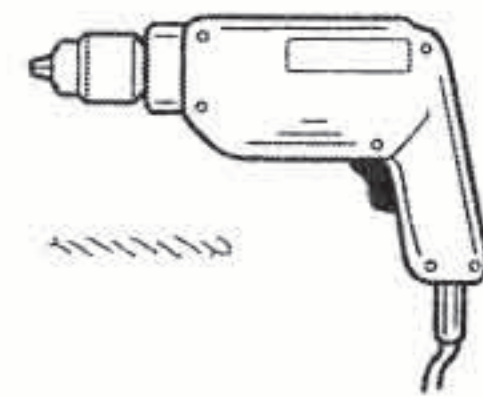
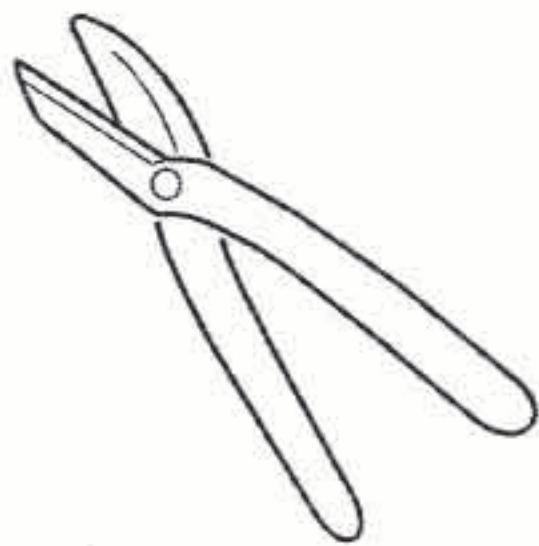
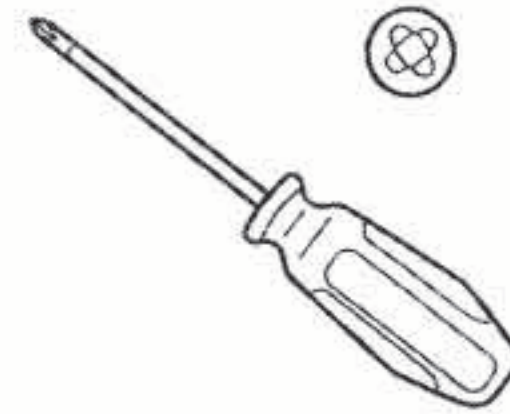
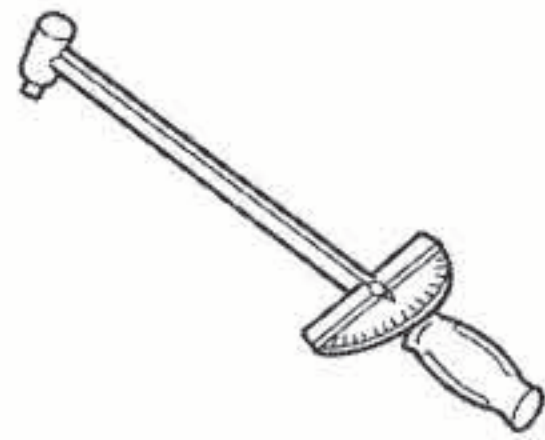
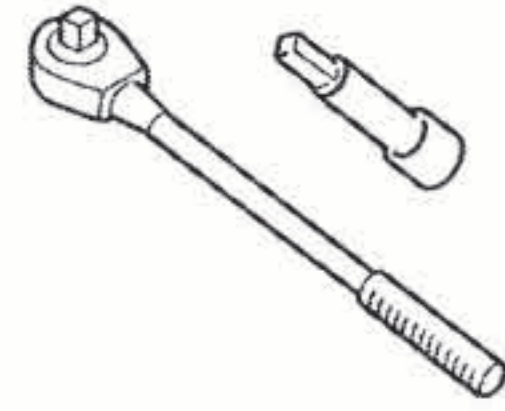
LL



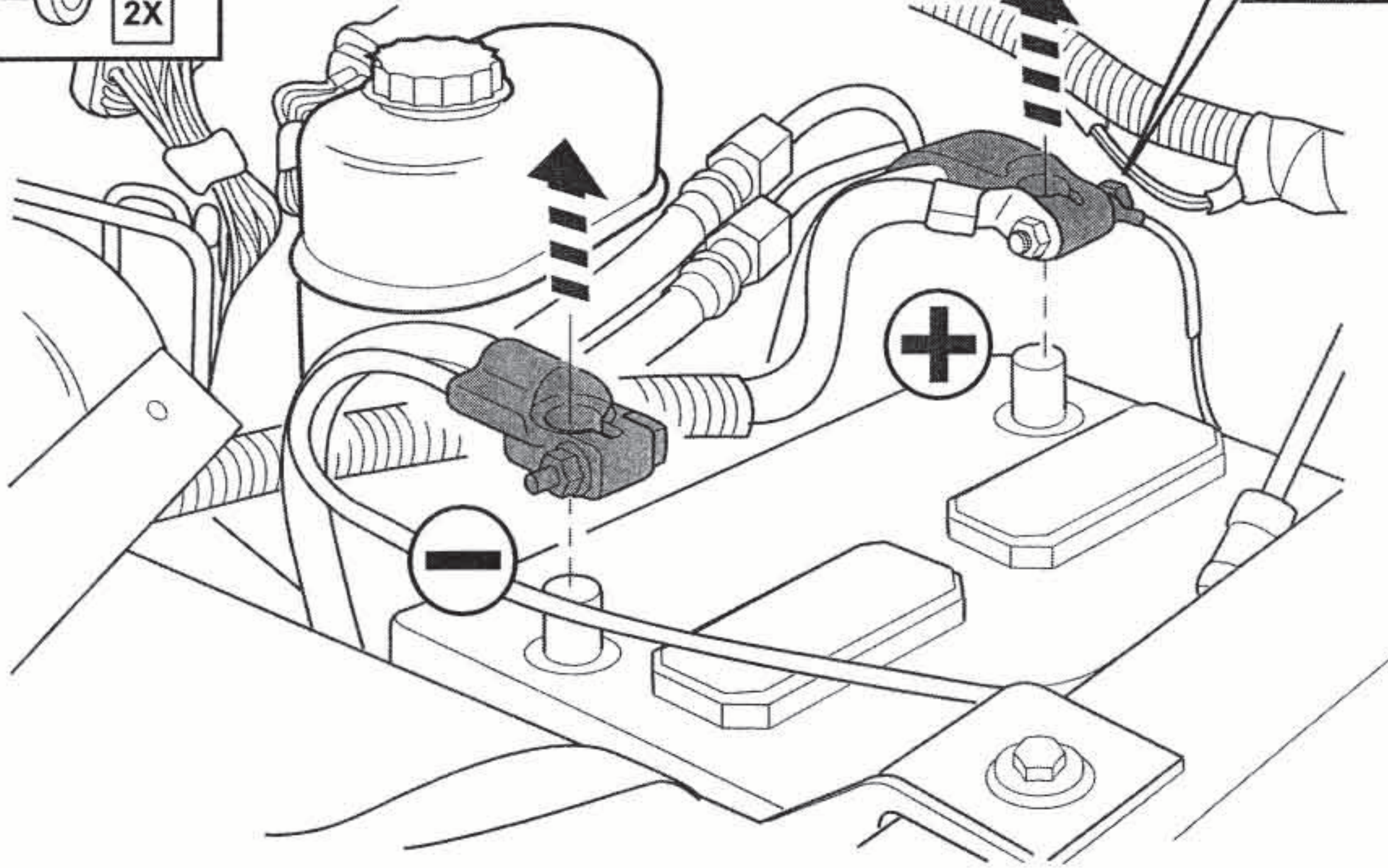
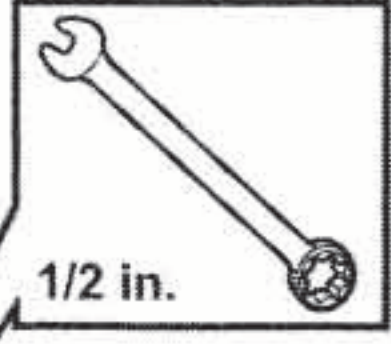
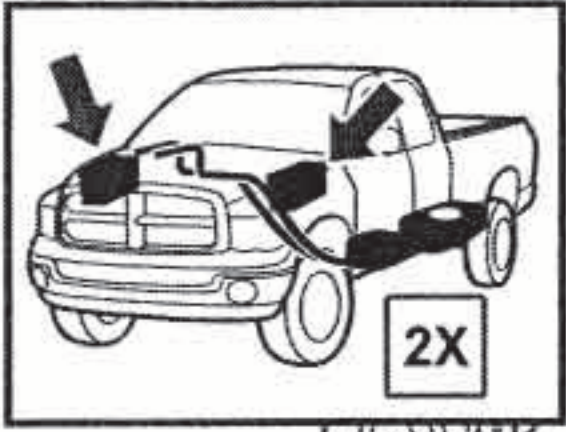
7 mm
10 mm
13 mm
16 mm



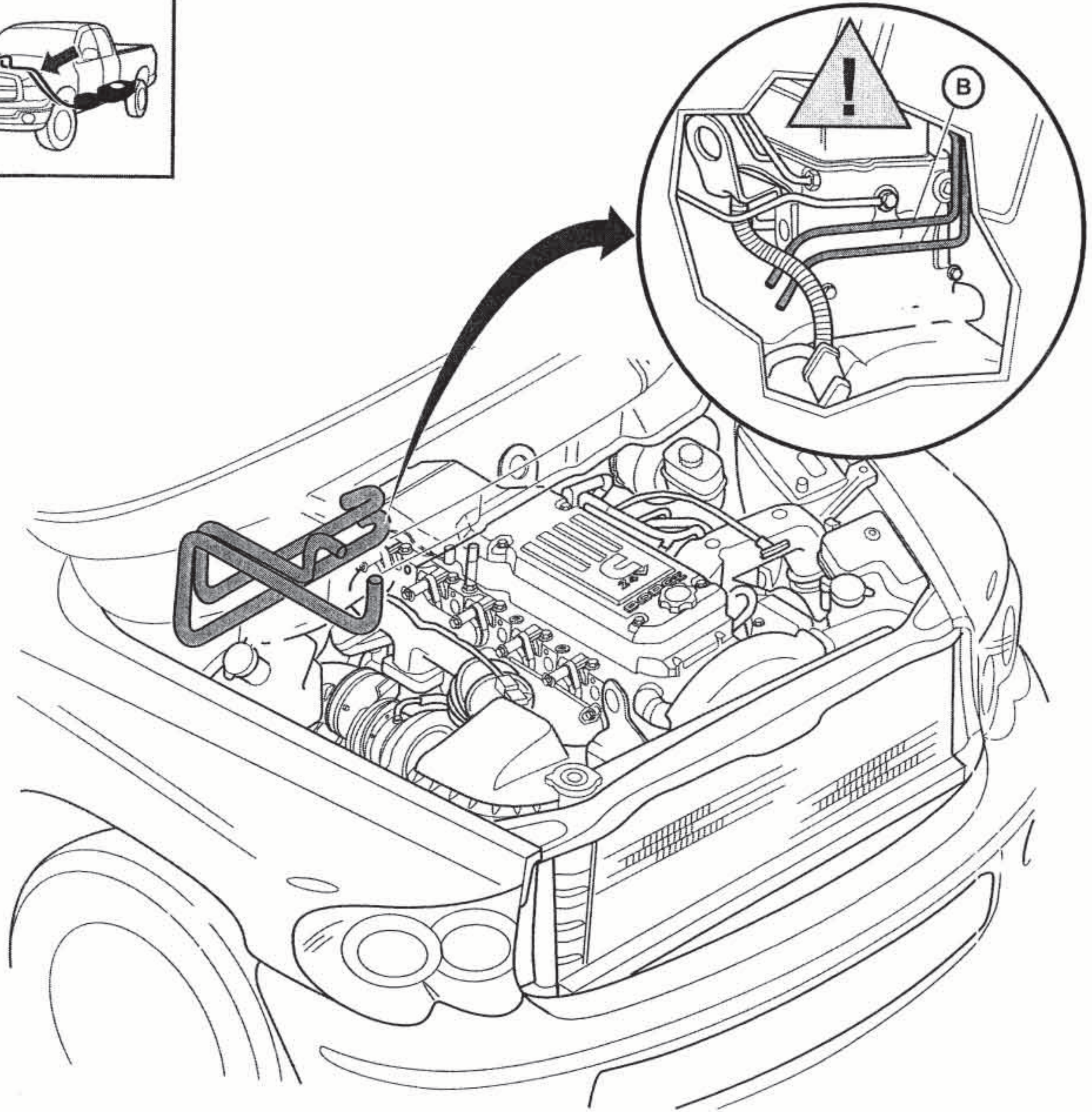
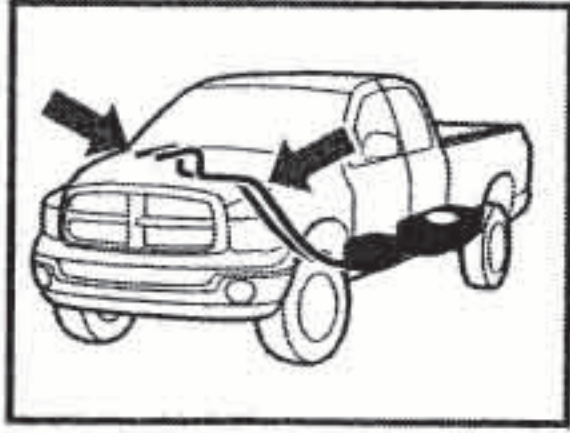
1/2 in.



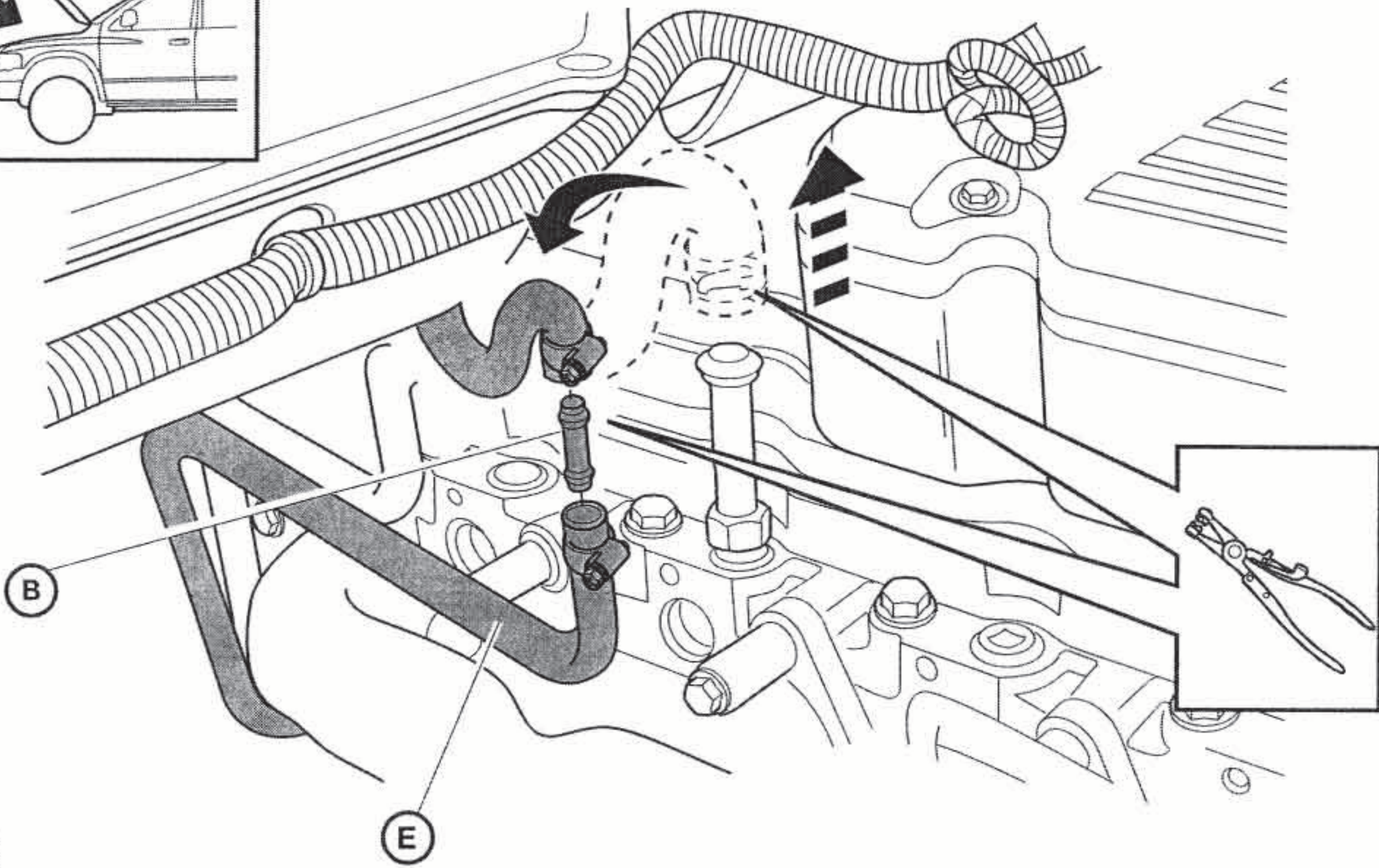
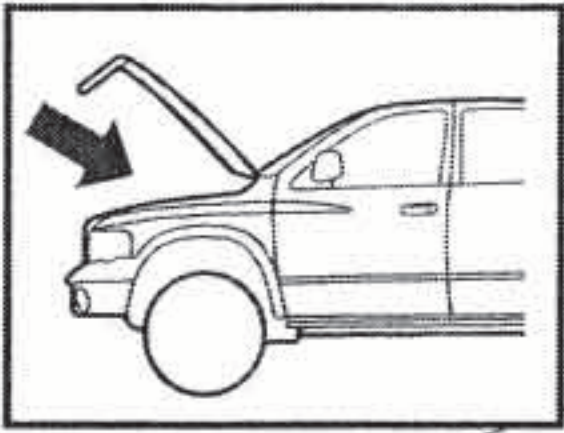
3.5 mm: 5/32"
7.5 mm: 5/16"



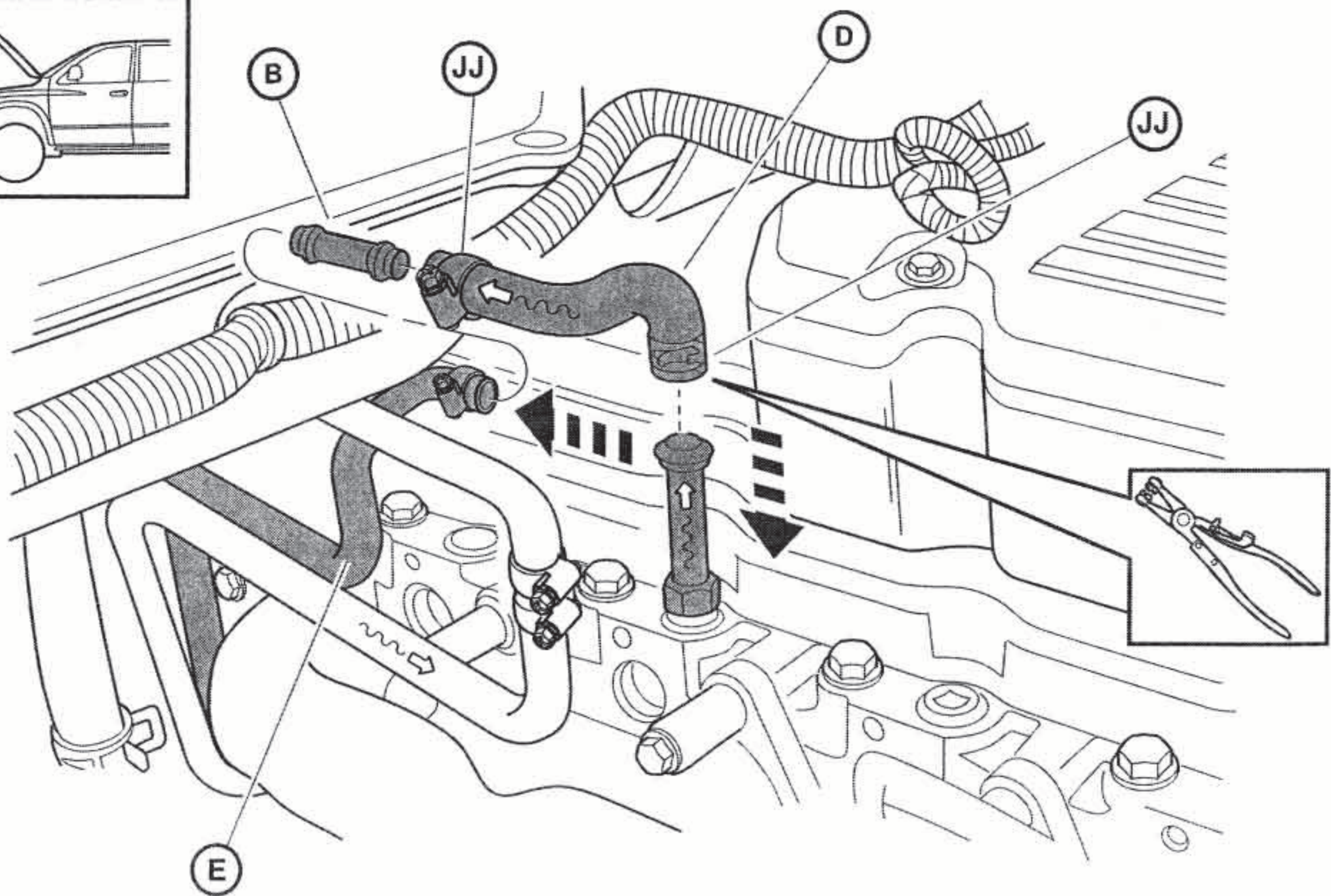
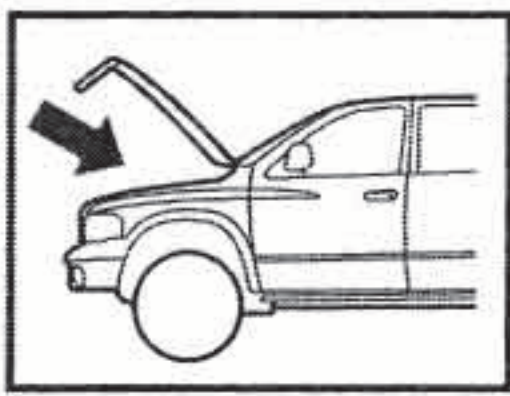
1



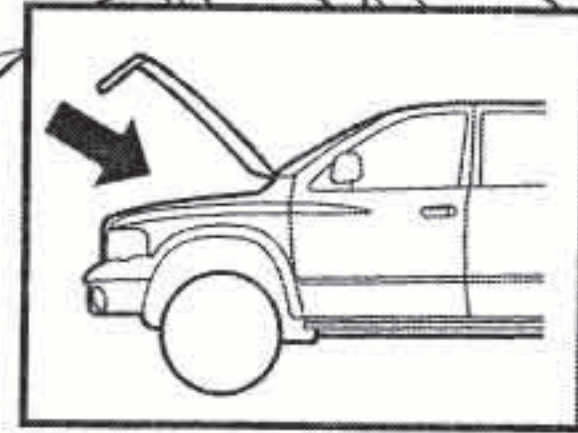
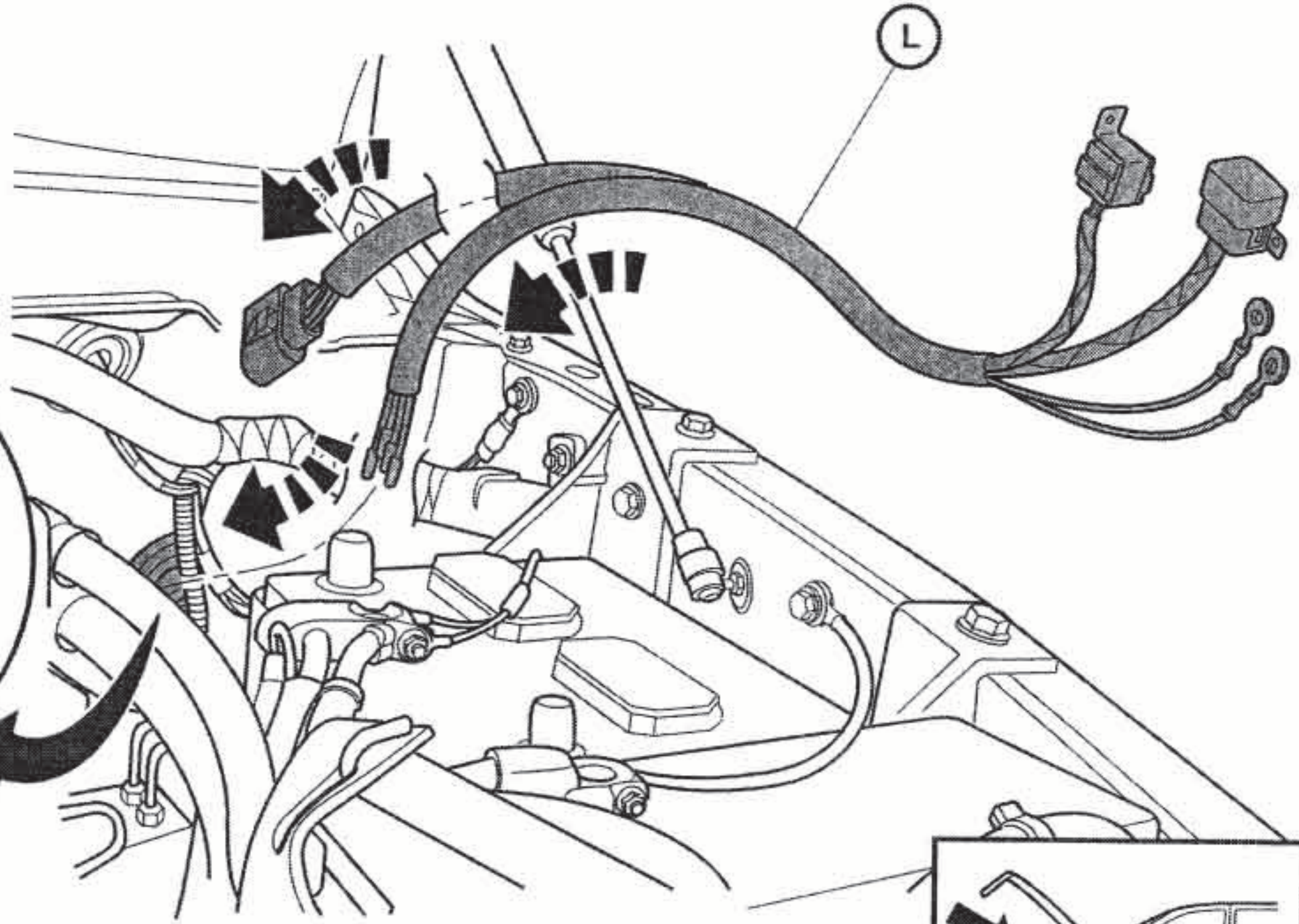
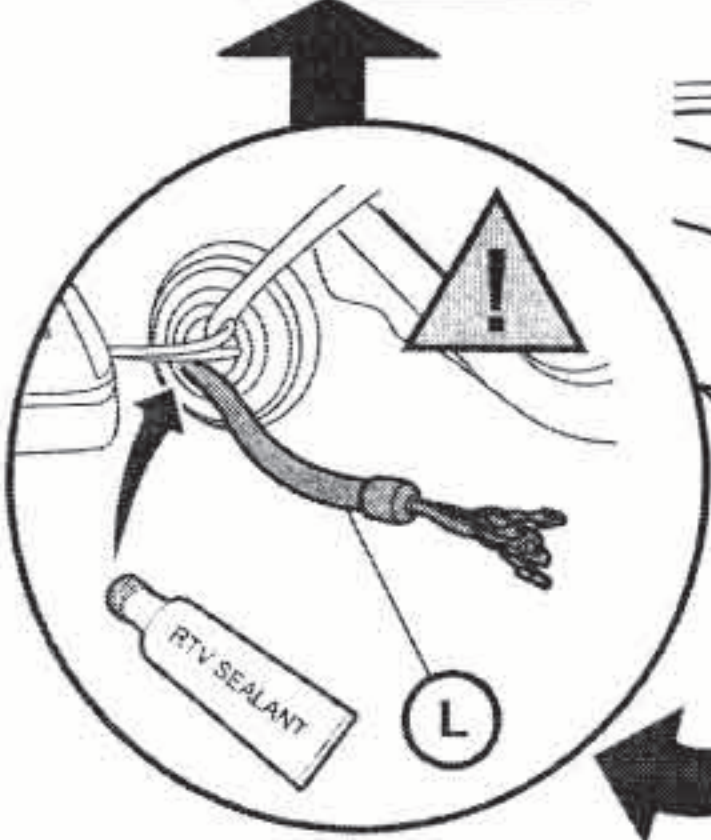
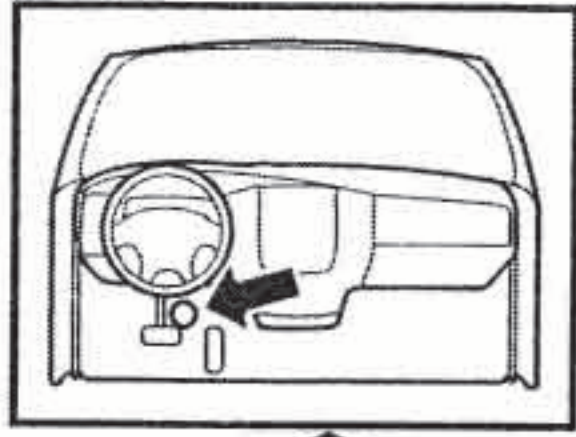
2



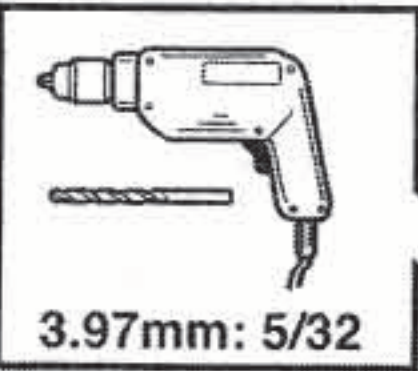
3



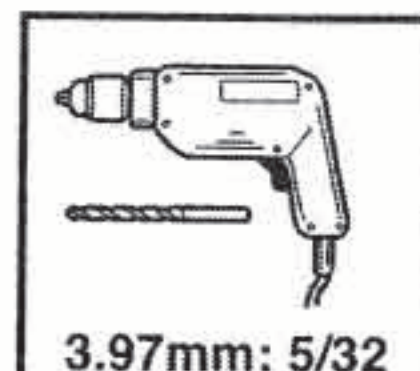
4



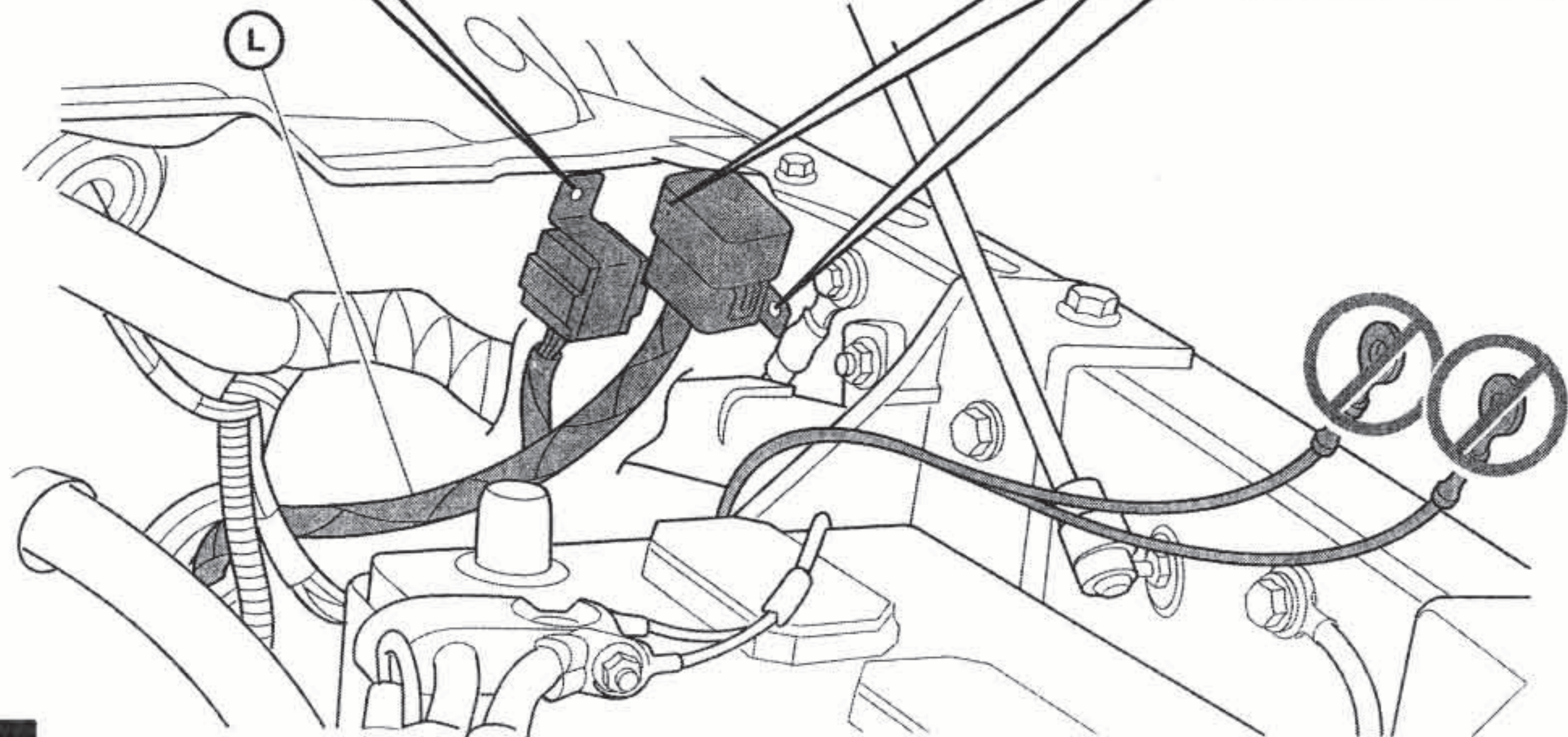
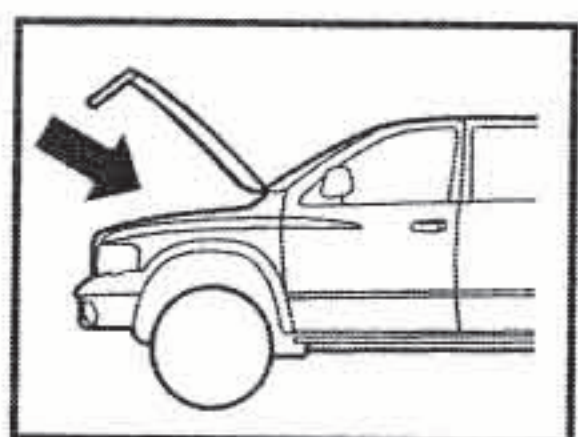
5



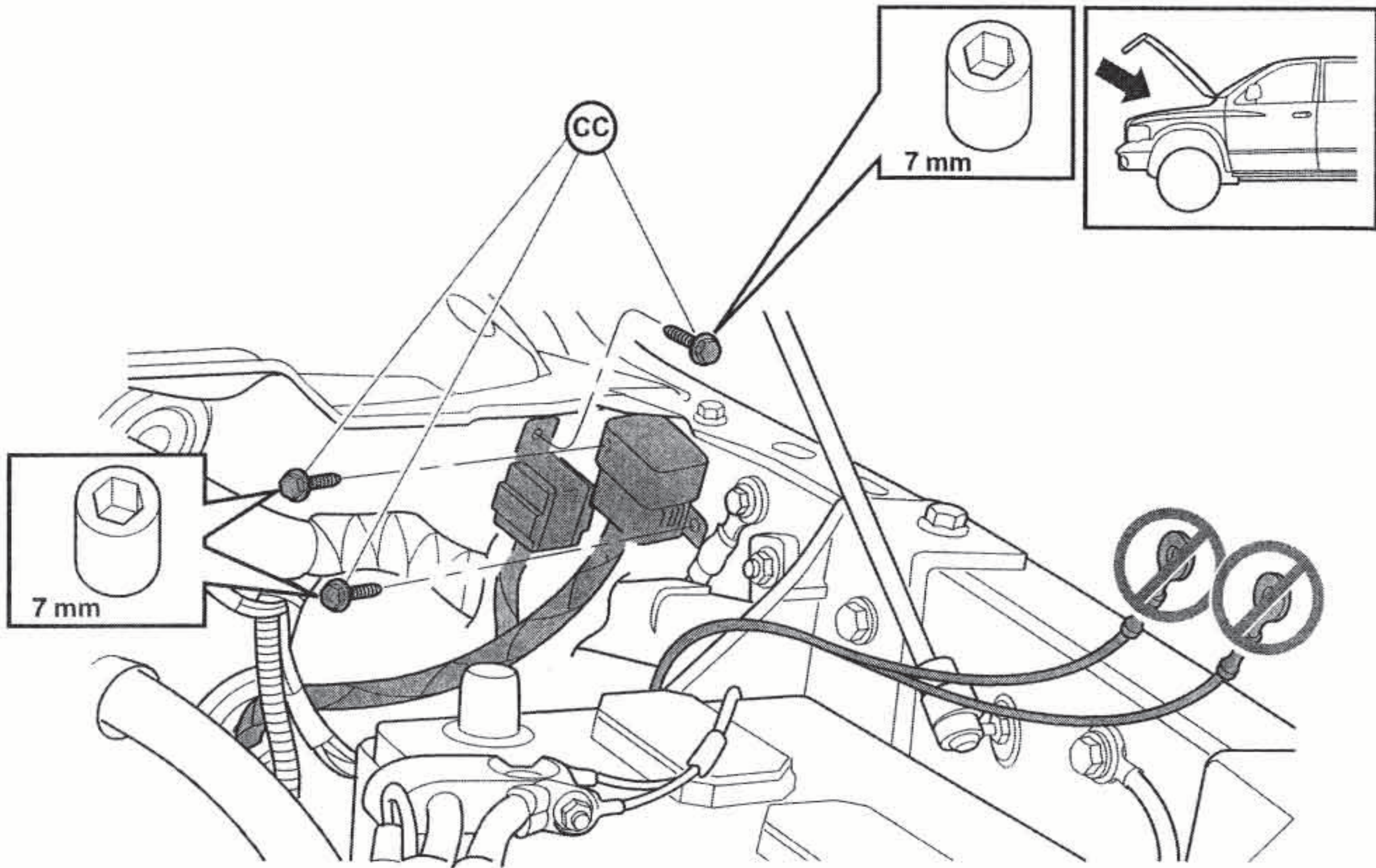
3.97mm: 5/32



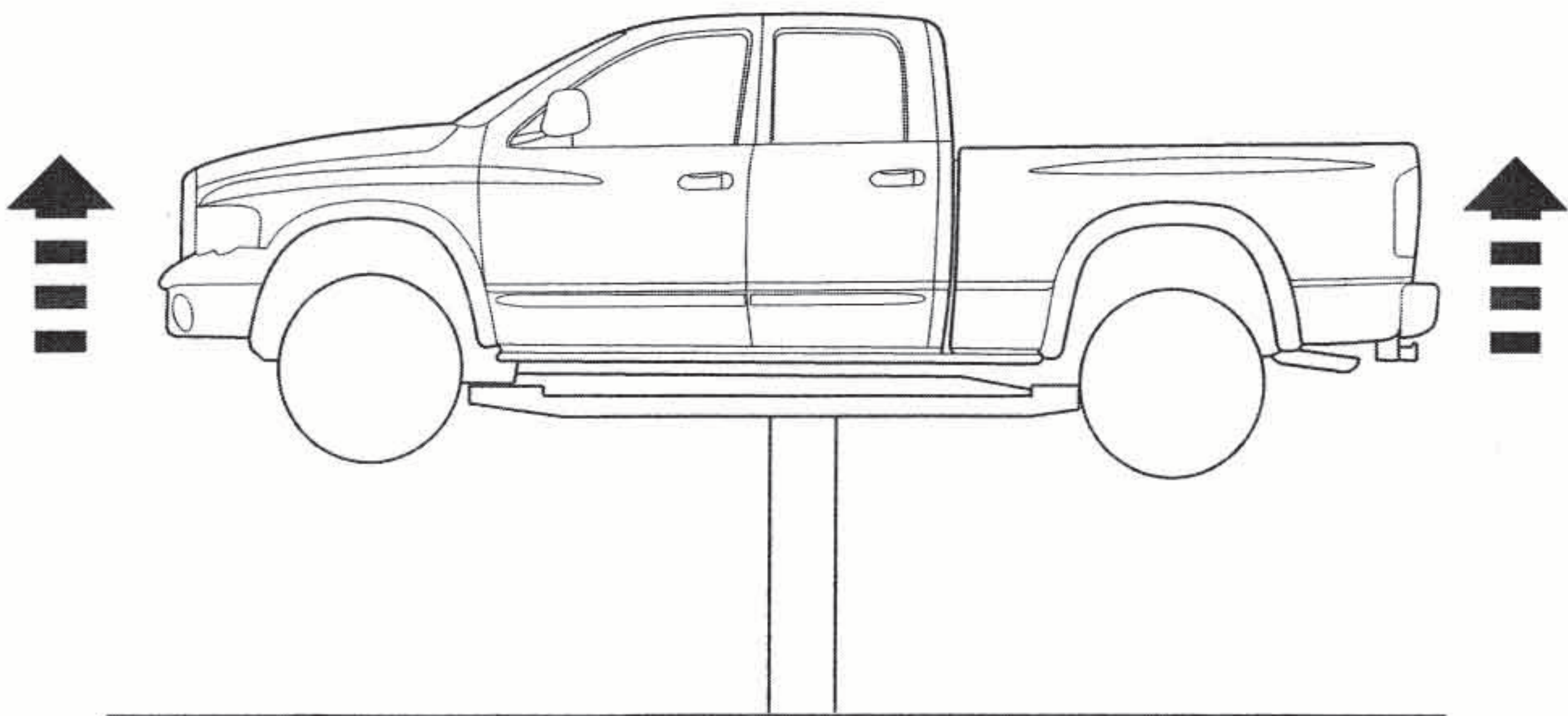
3.97mm: 5/32



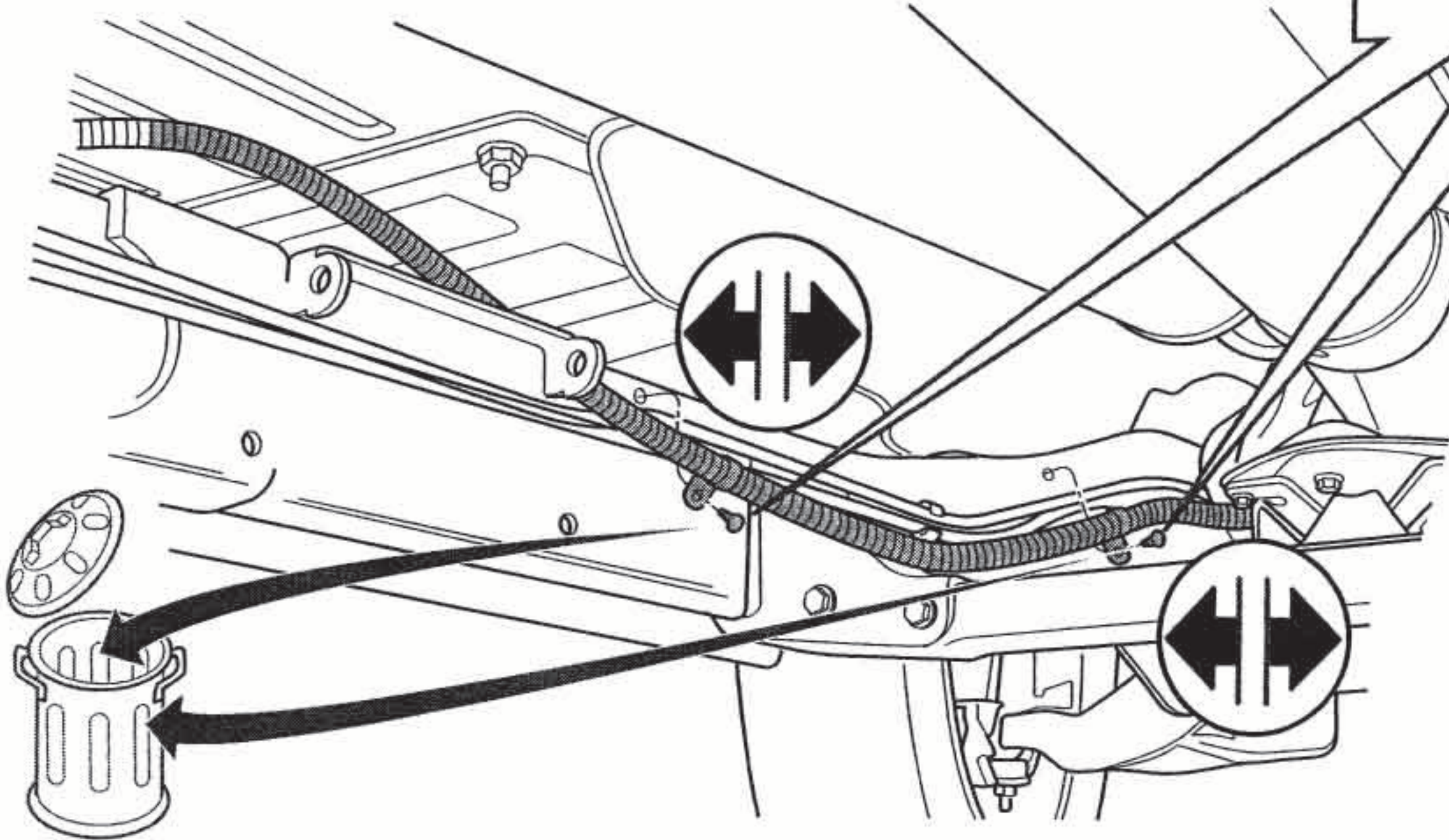
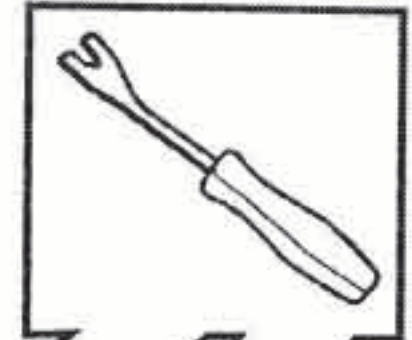
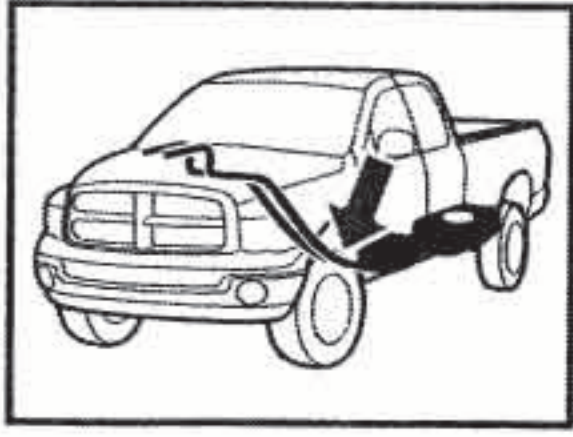
6



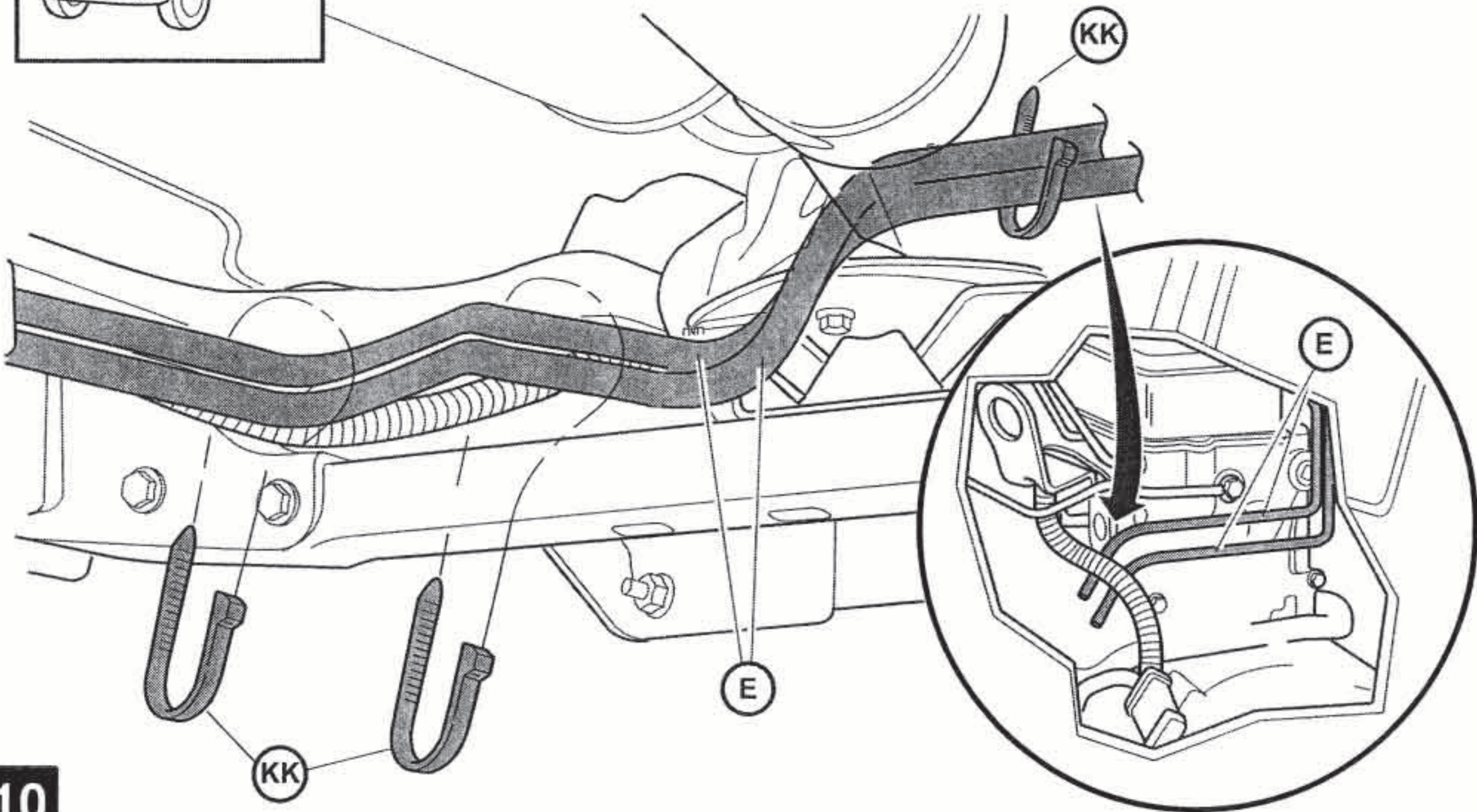
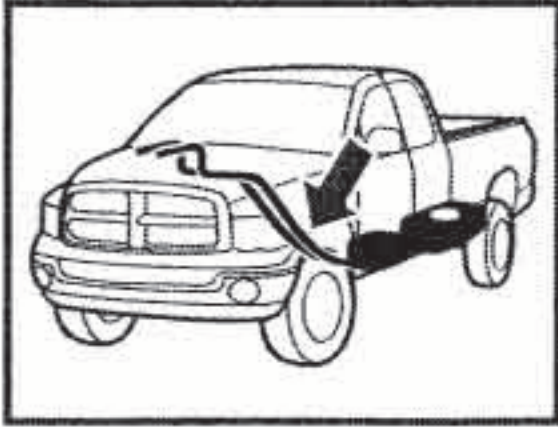
7



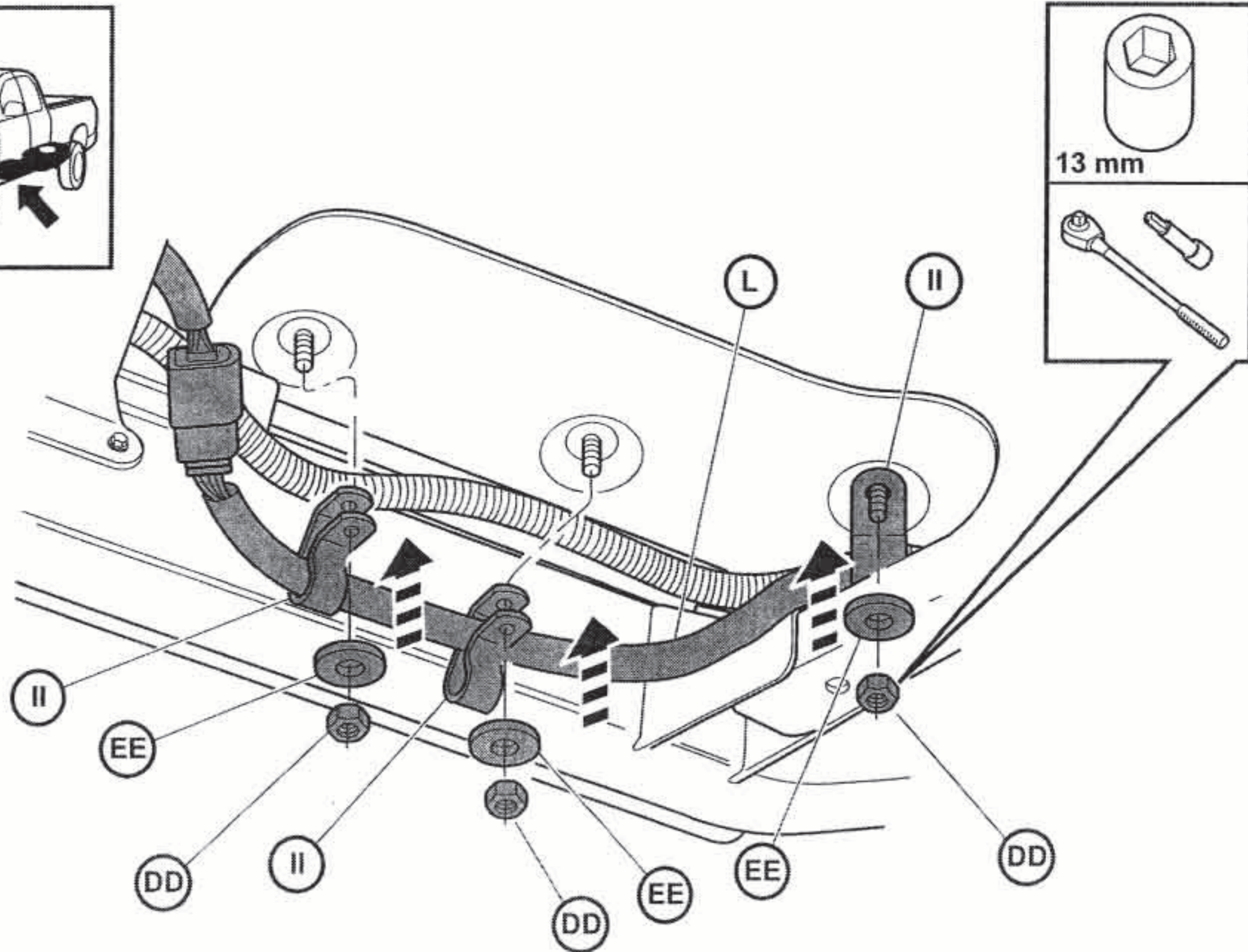
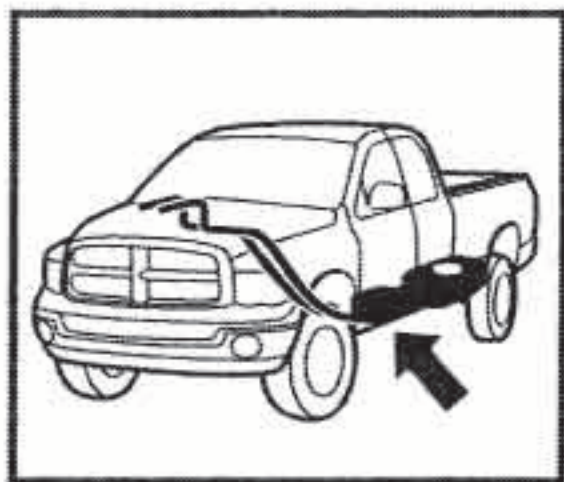
8



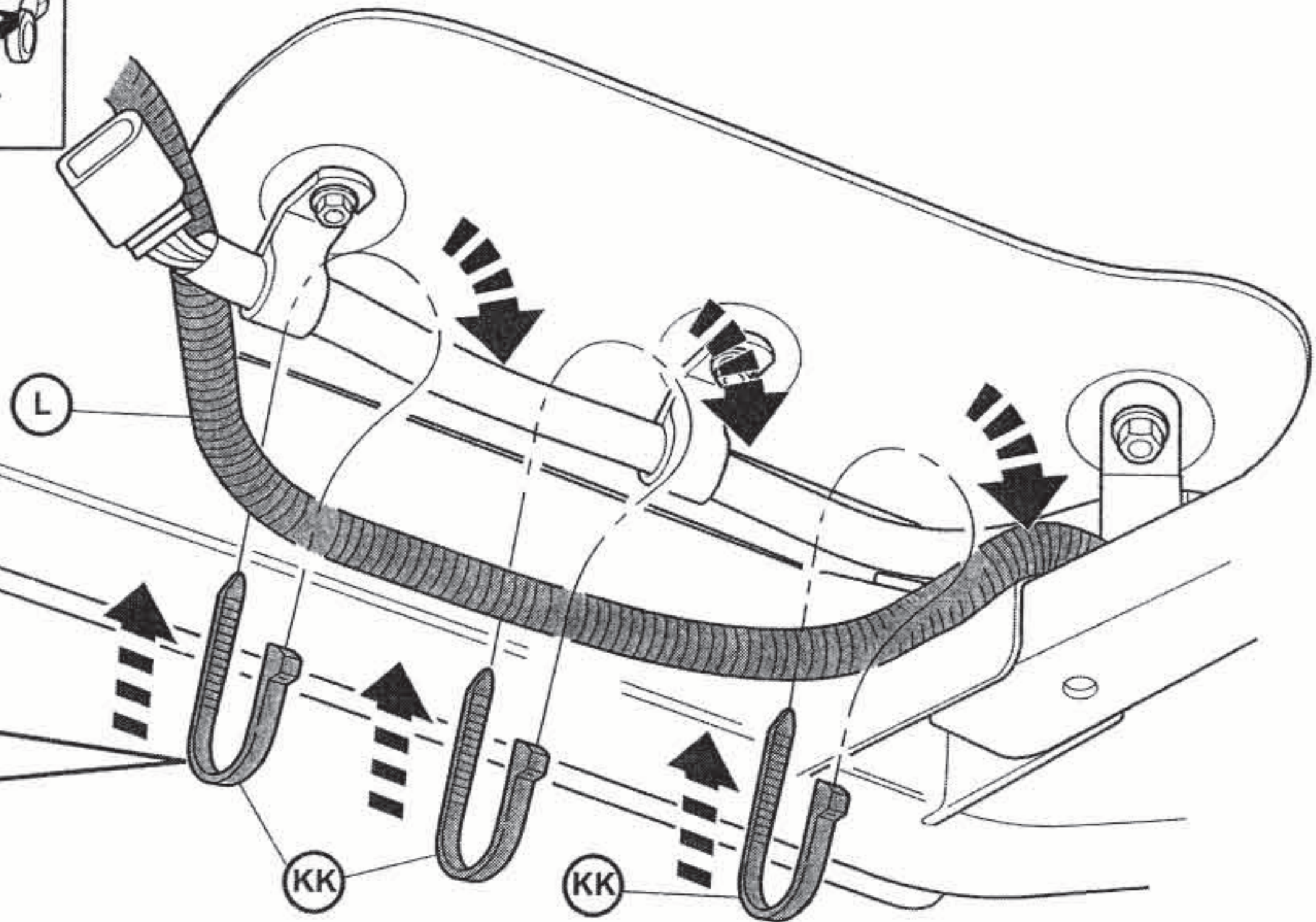
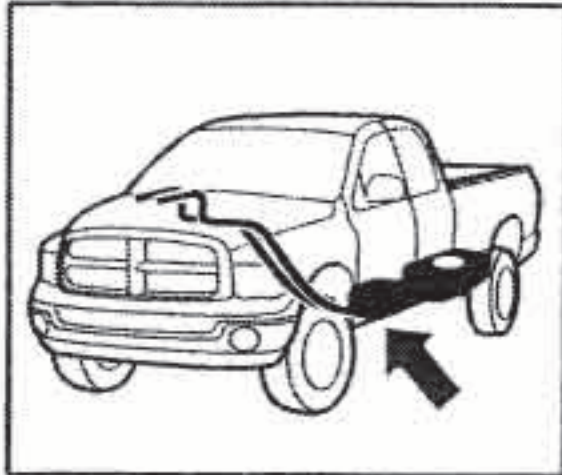
9



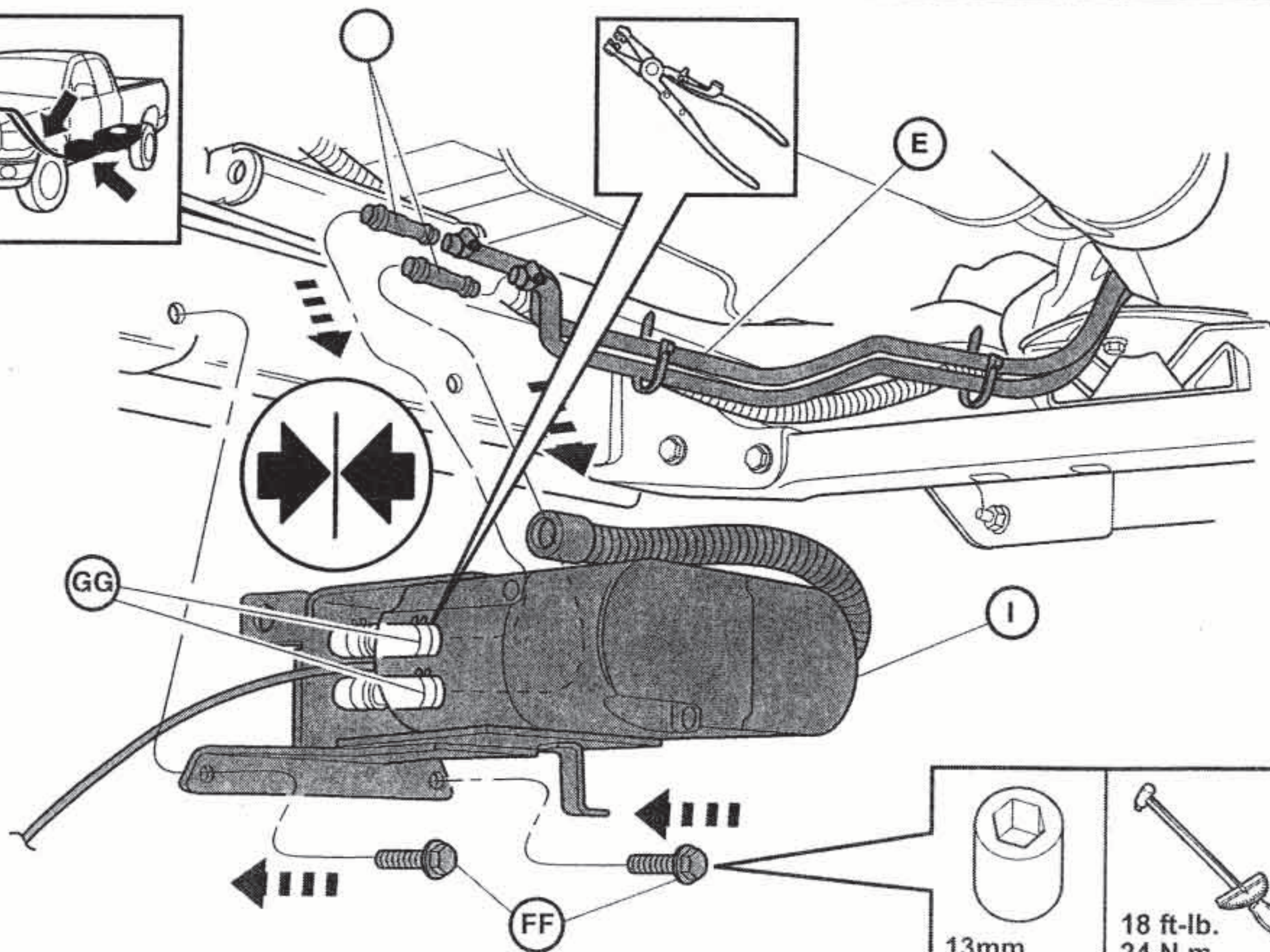
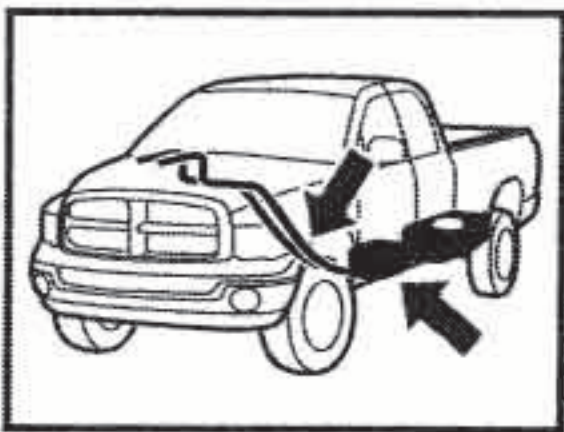
10



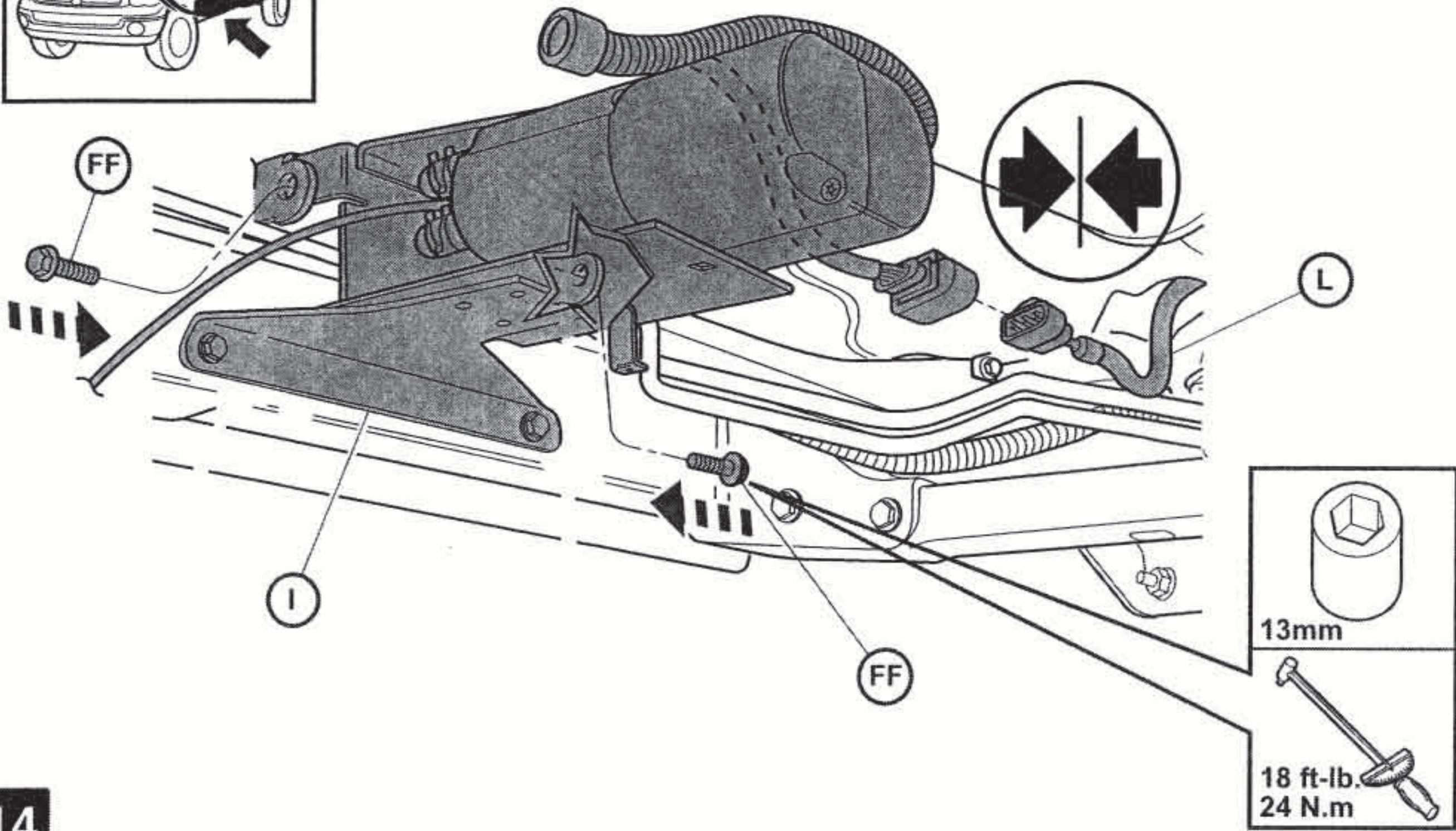
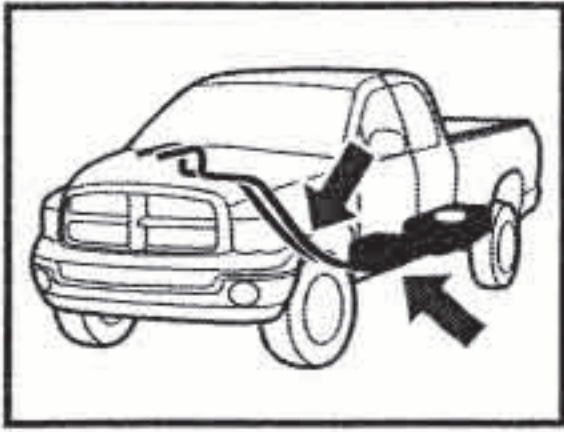
11



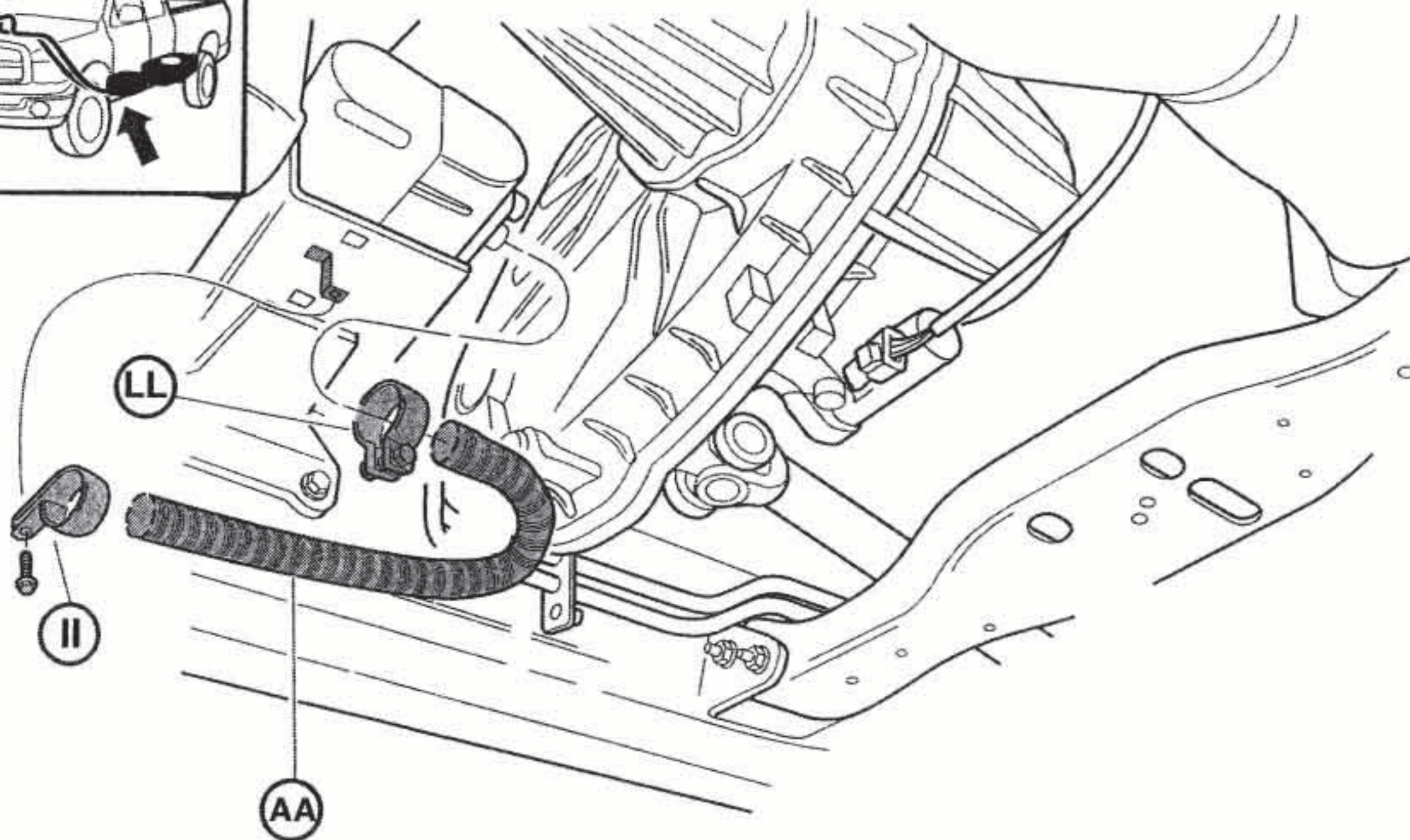
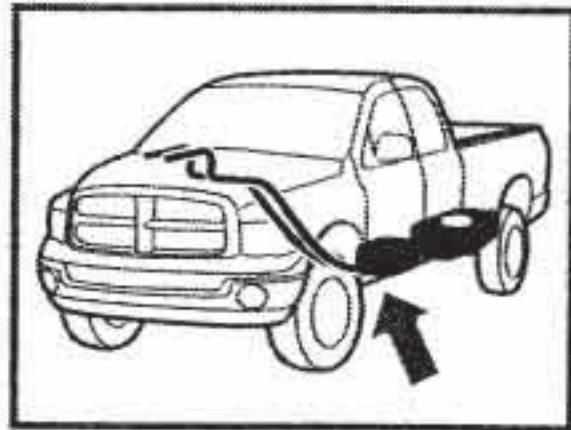
12



13

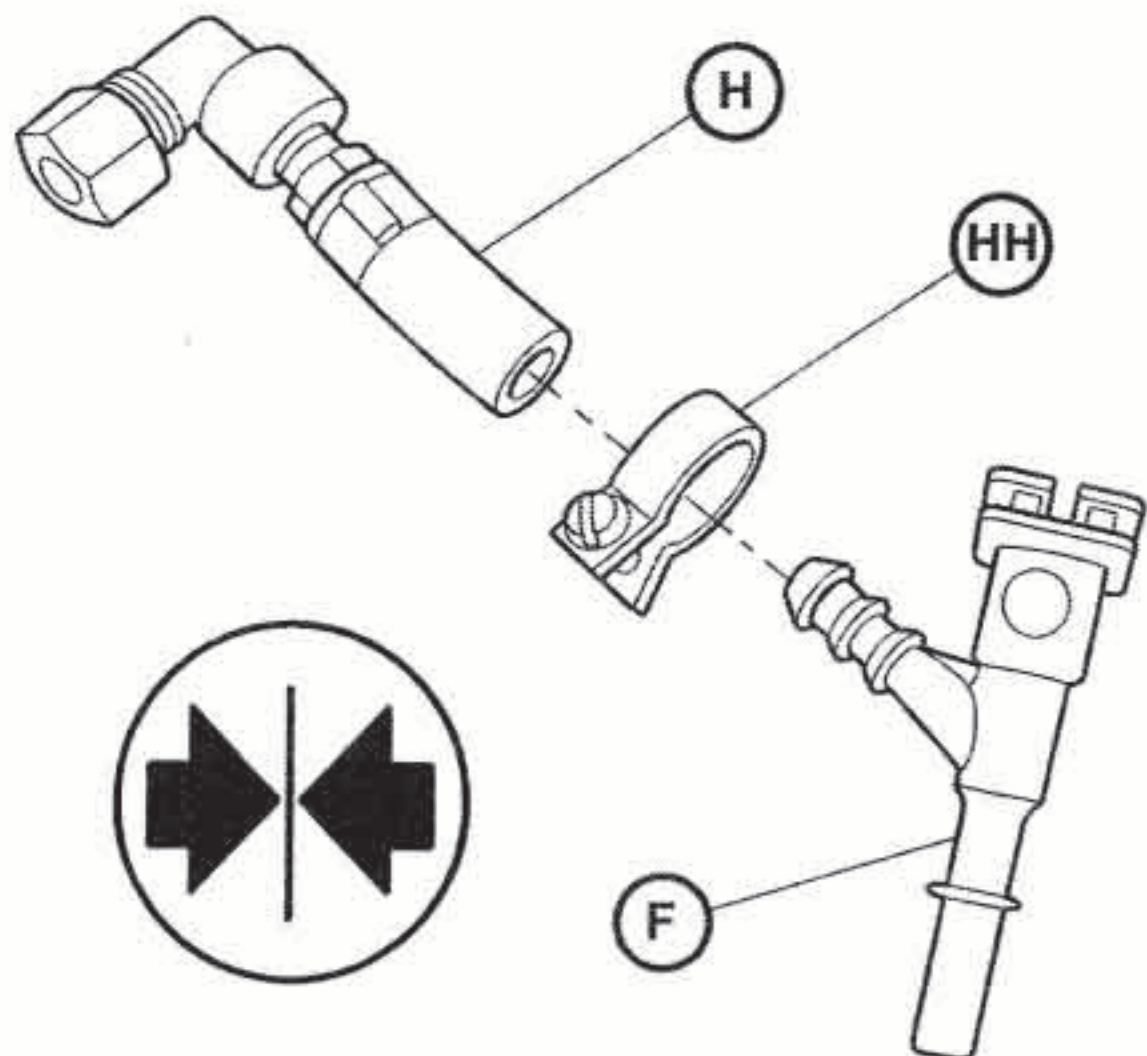


14

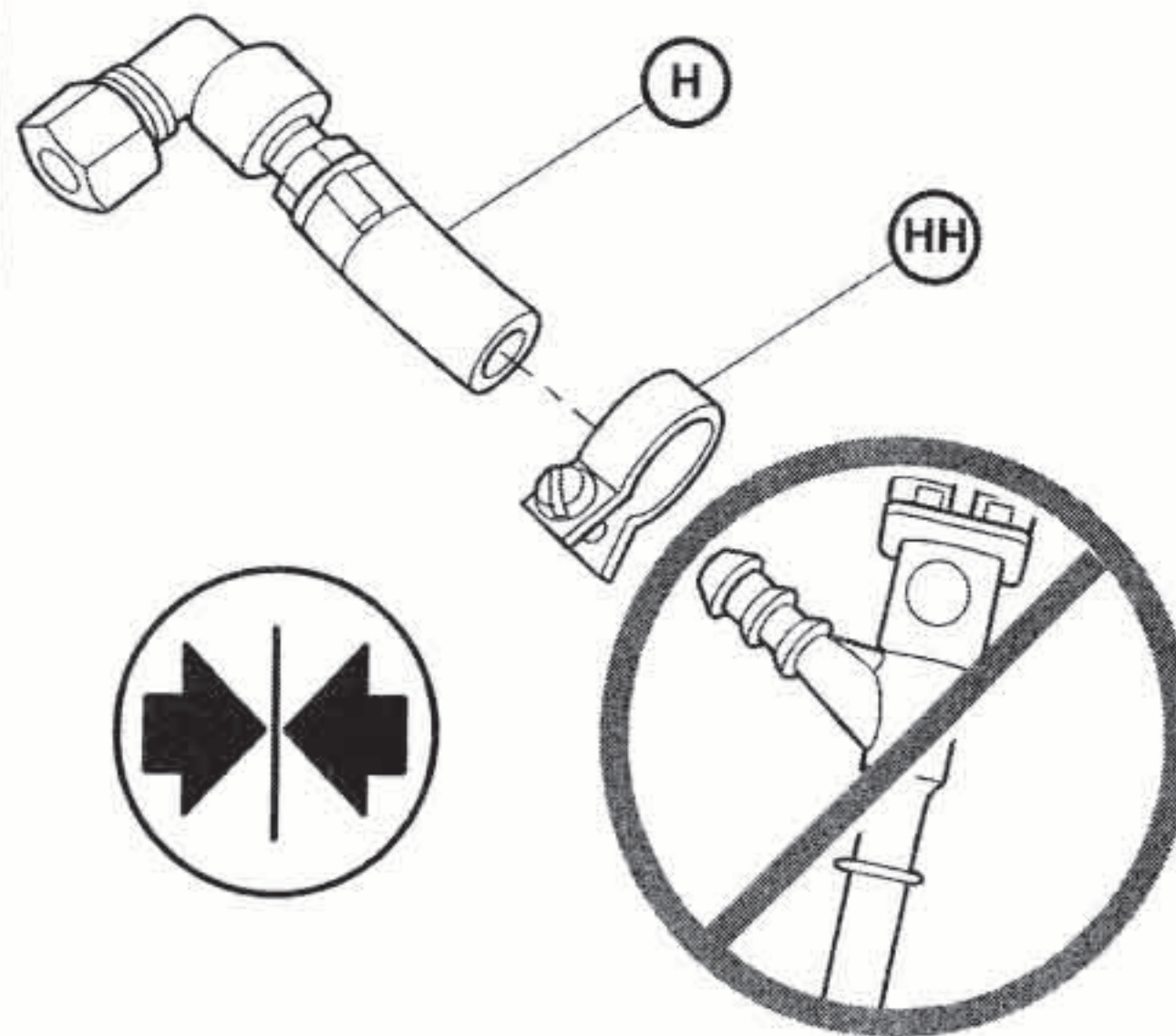


15

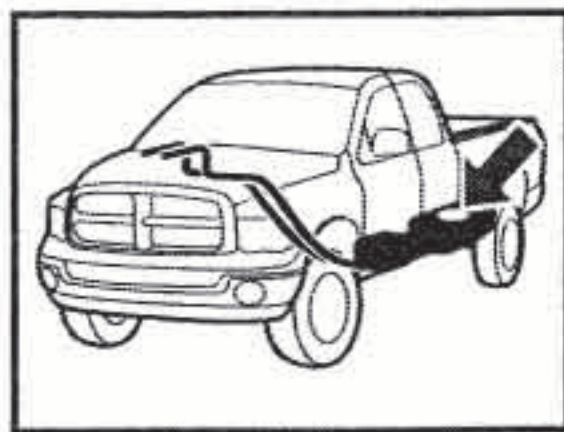
2005 - 2006 MY



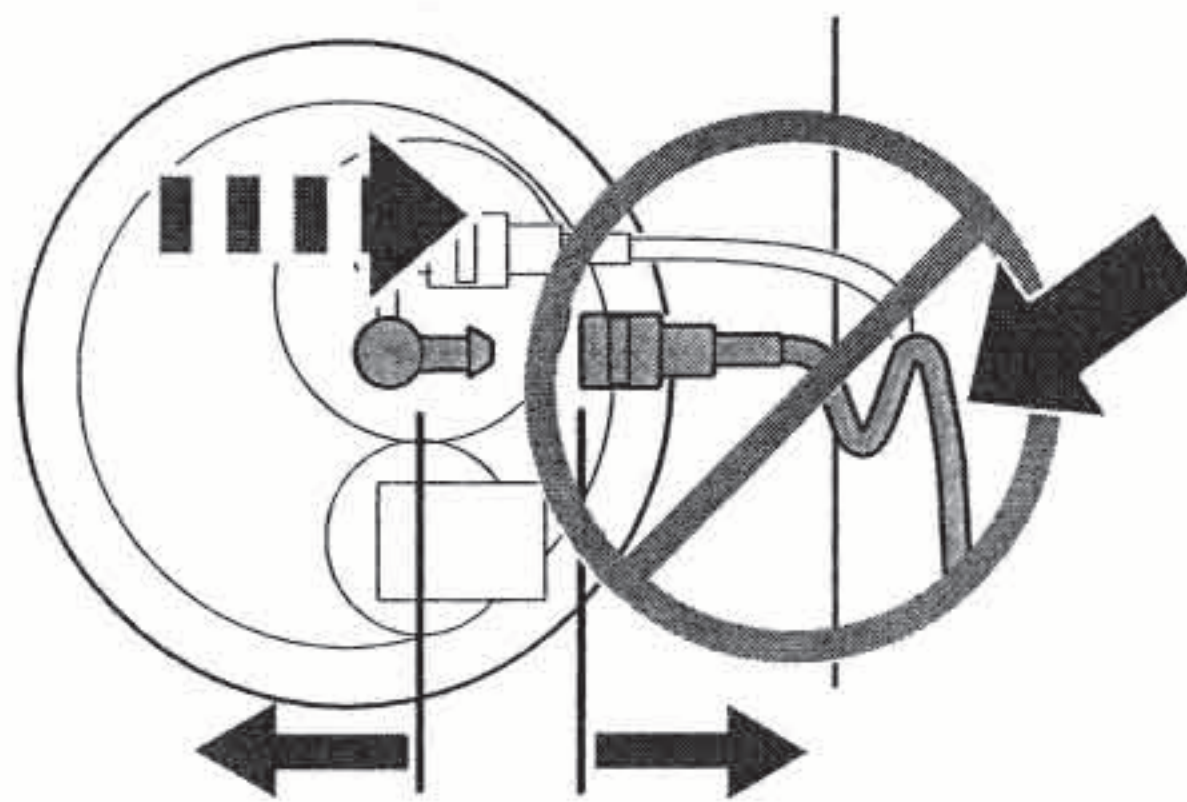
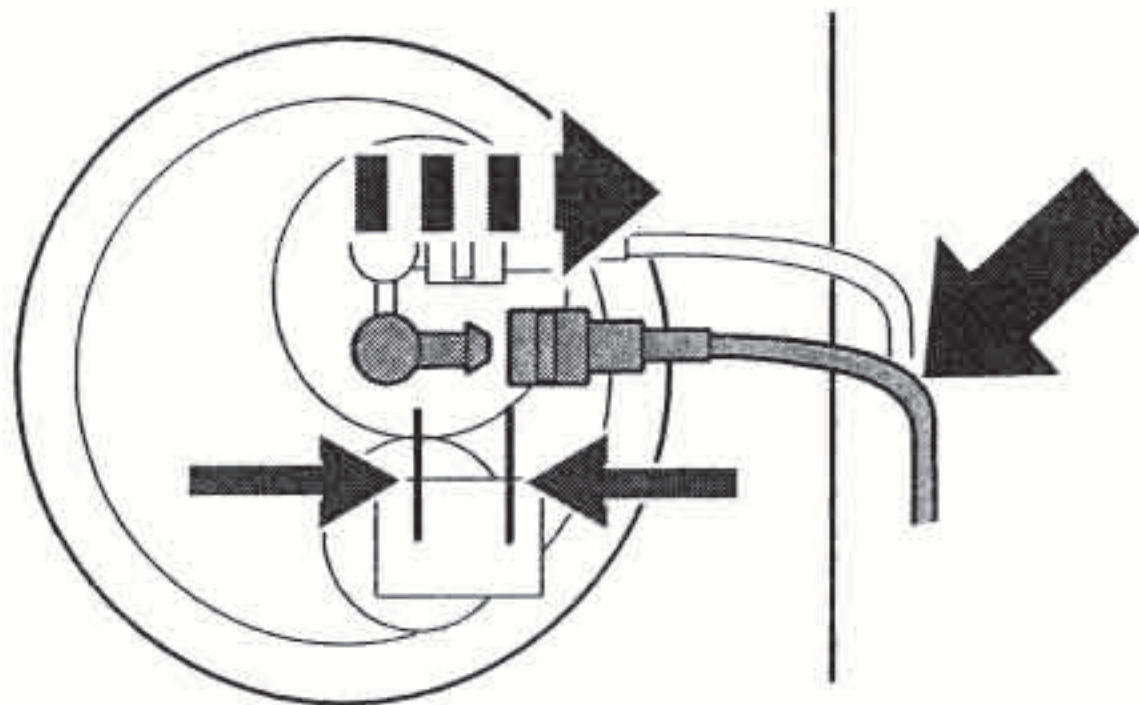
2003 - 2004 MY



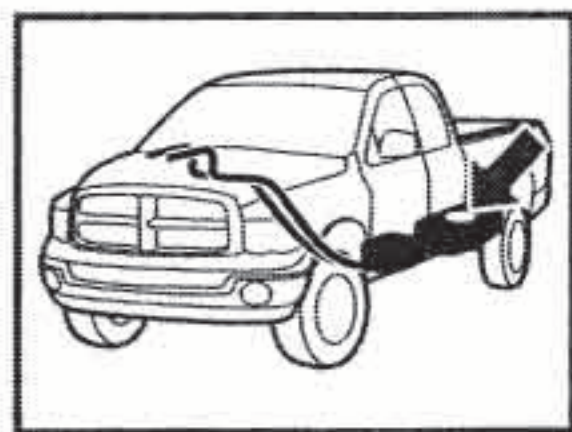
16



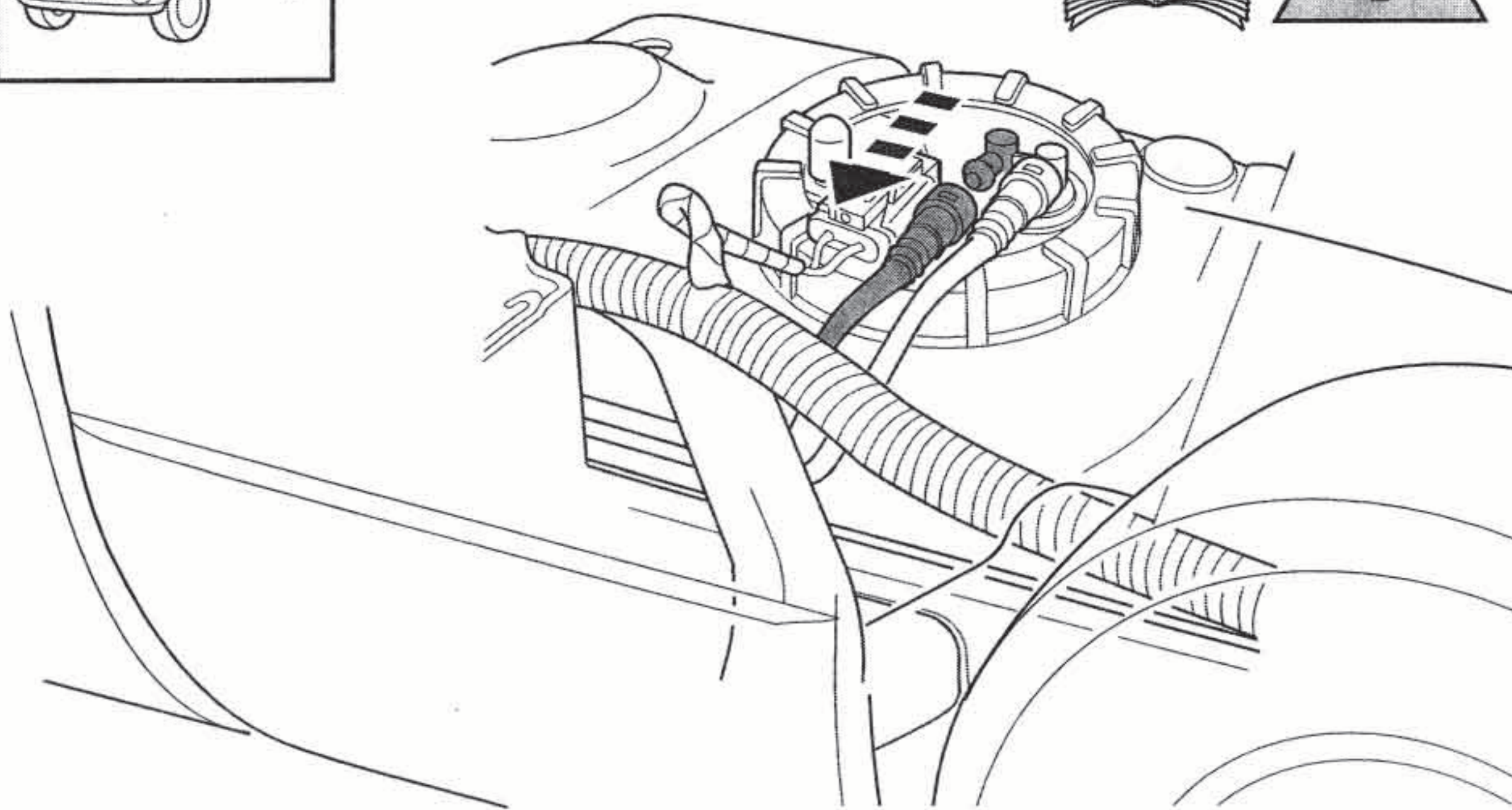
2005 - 2006 MY



17

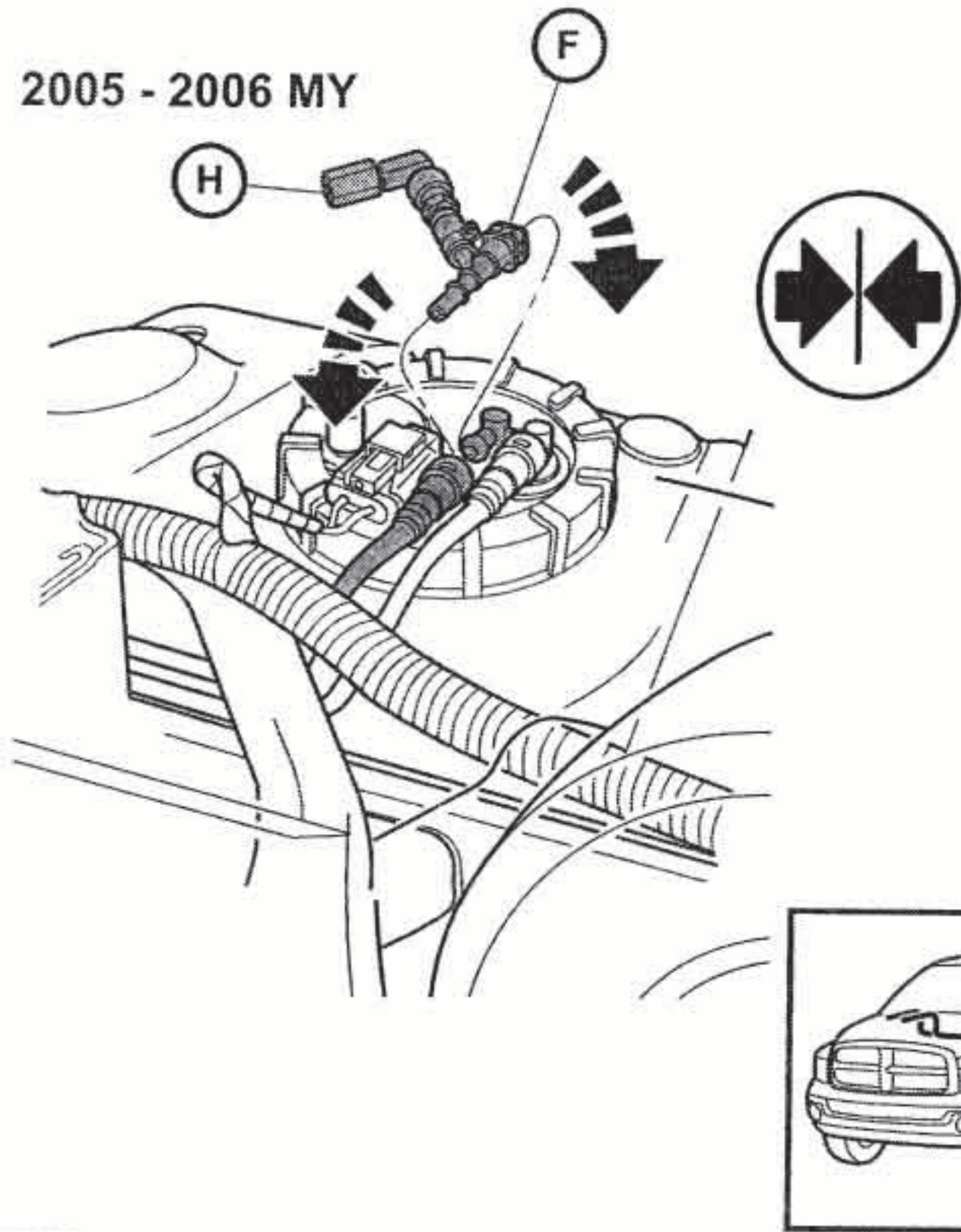


2005 - 2006 MY

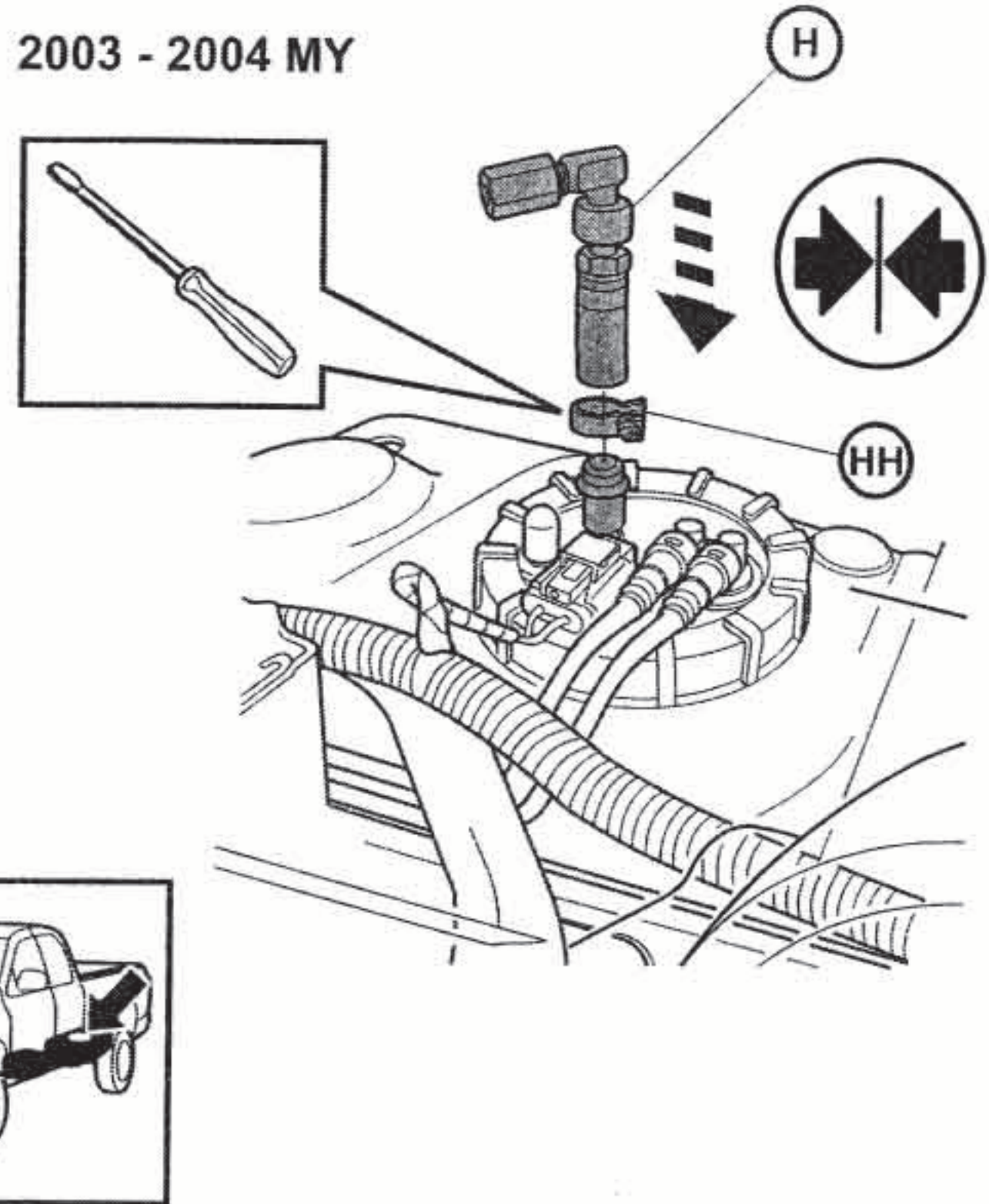


18

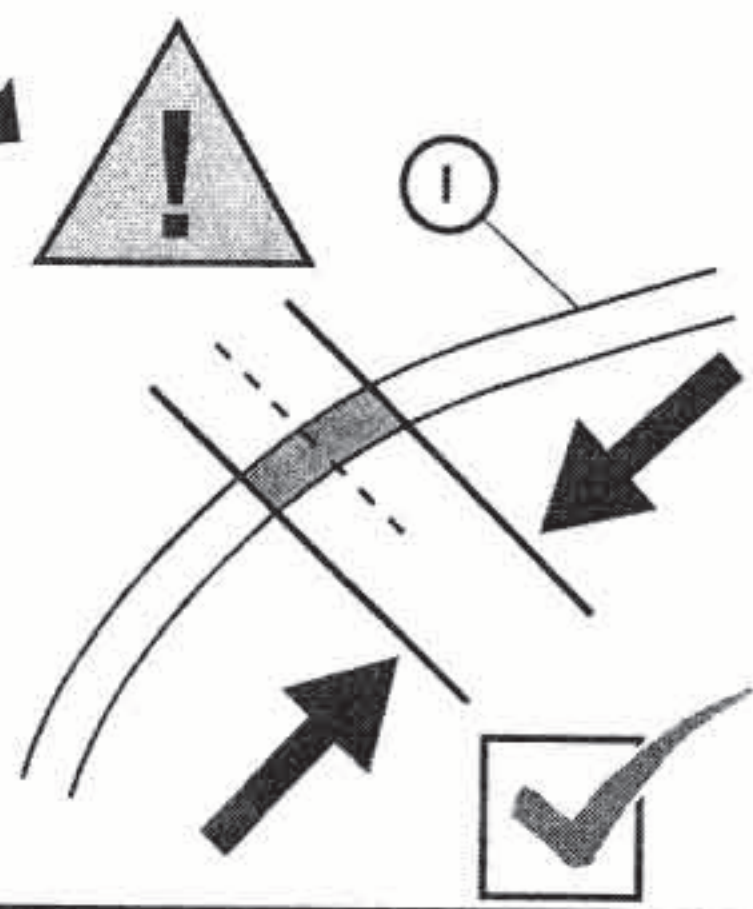
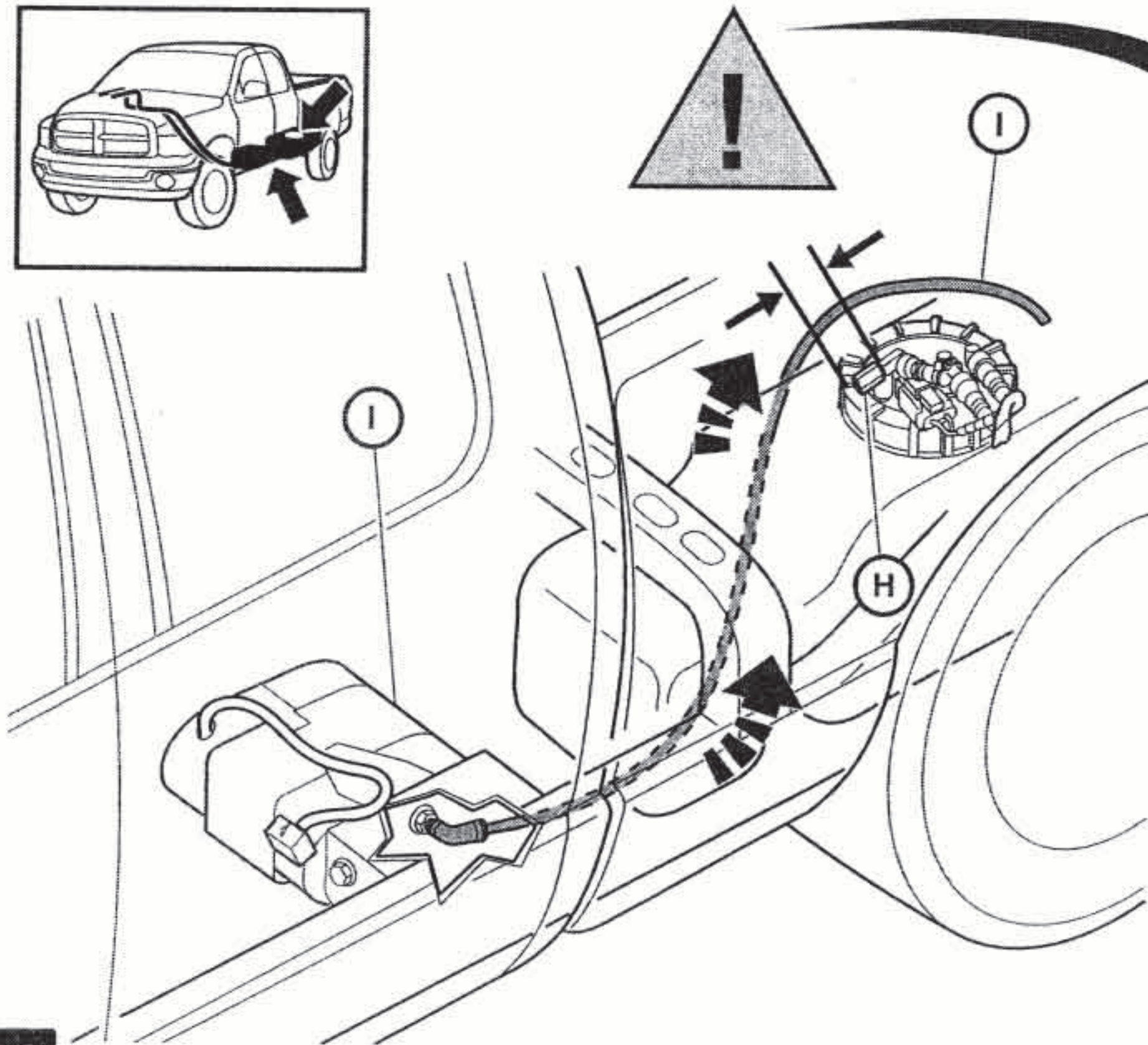
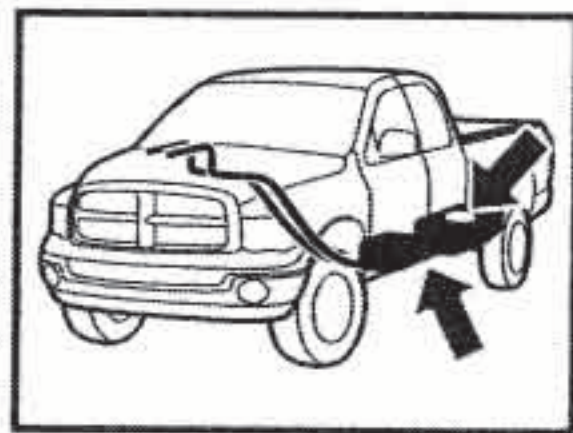
2005 - 2006 MY



2003 - 2004 MY

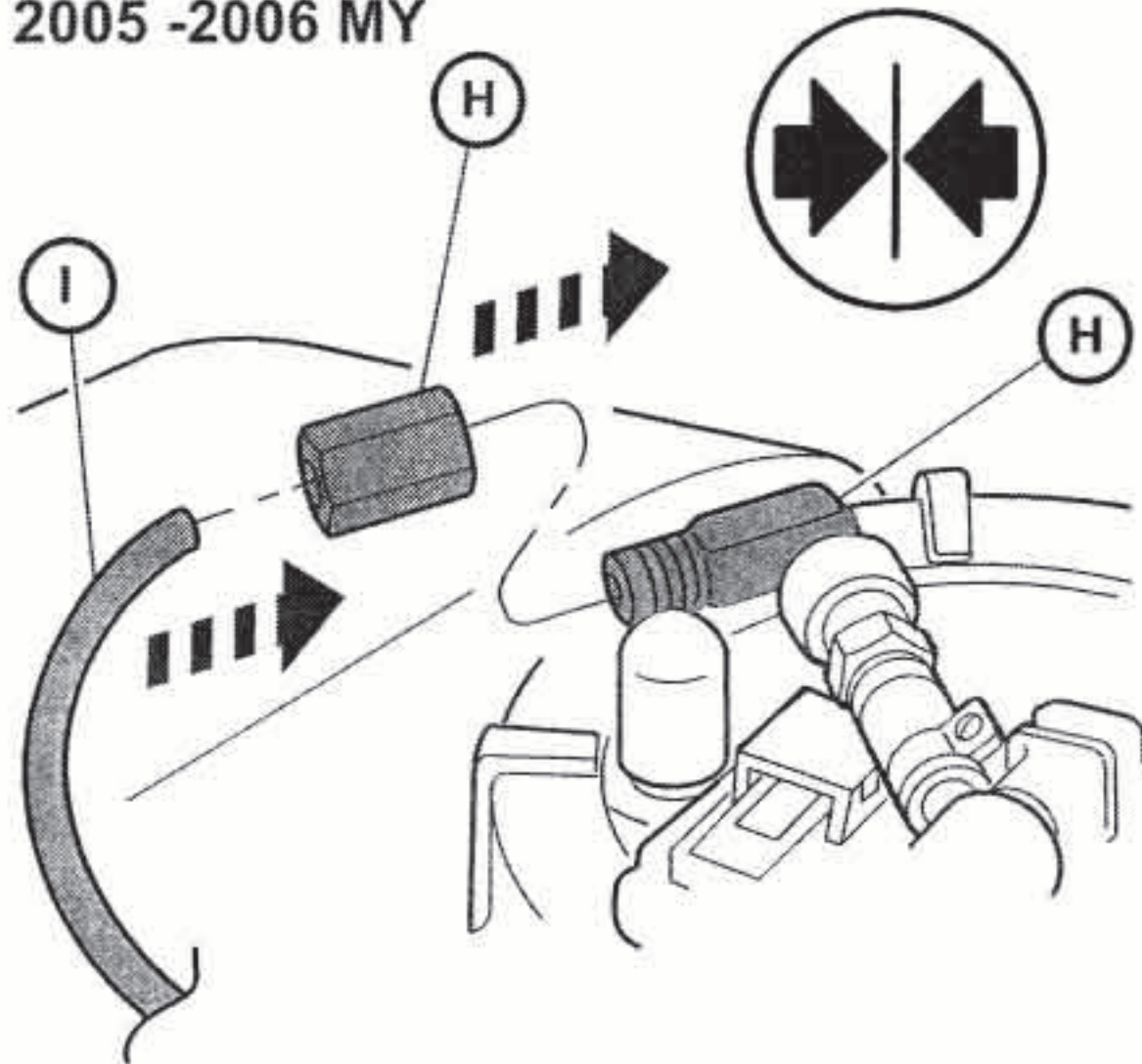


19

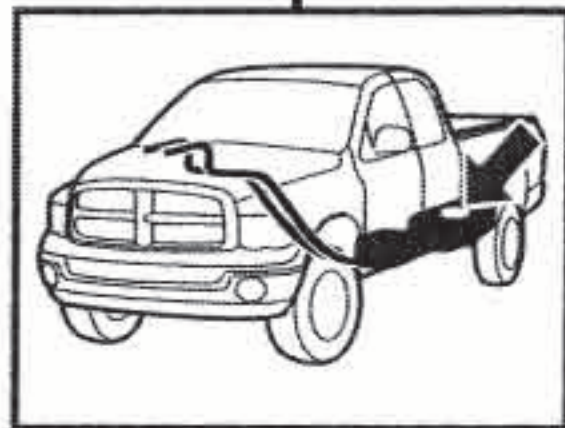
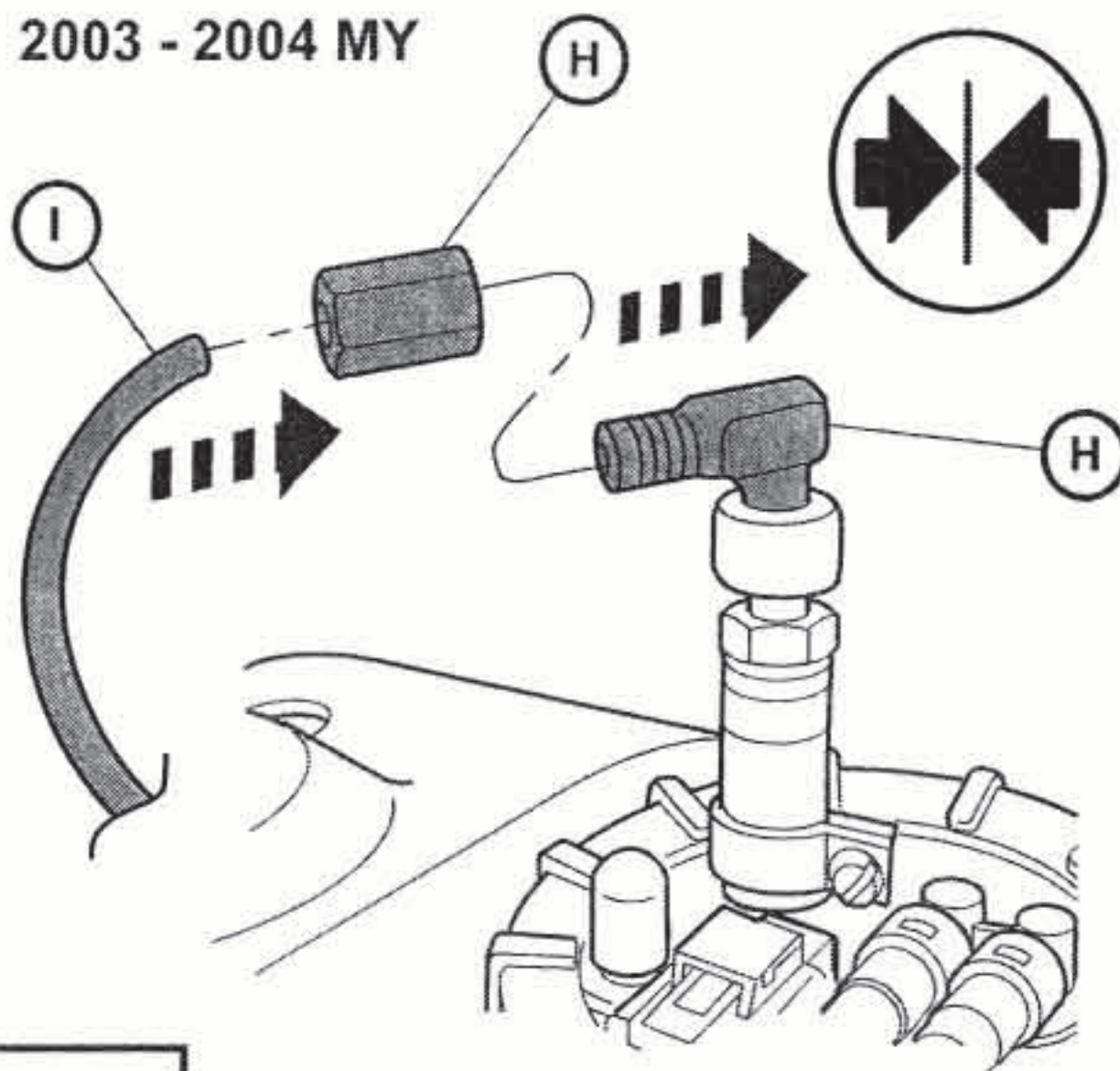


20

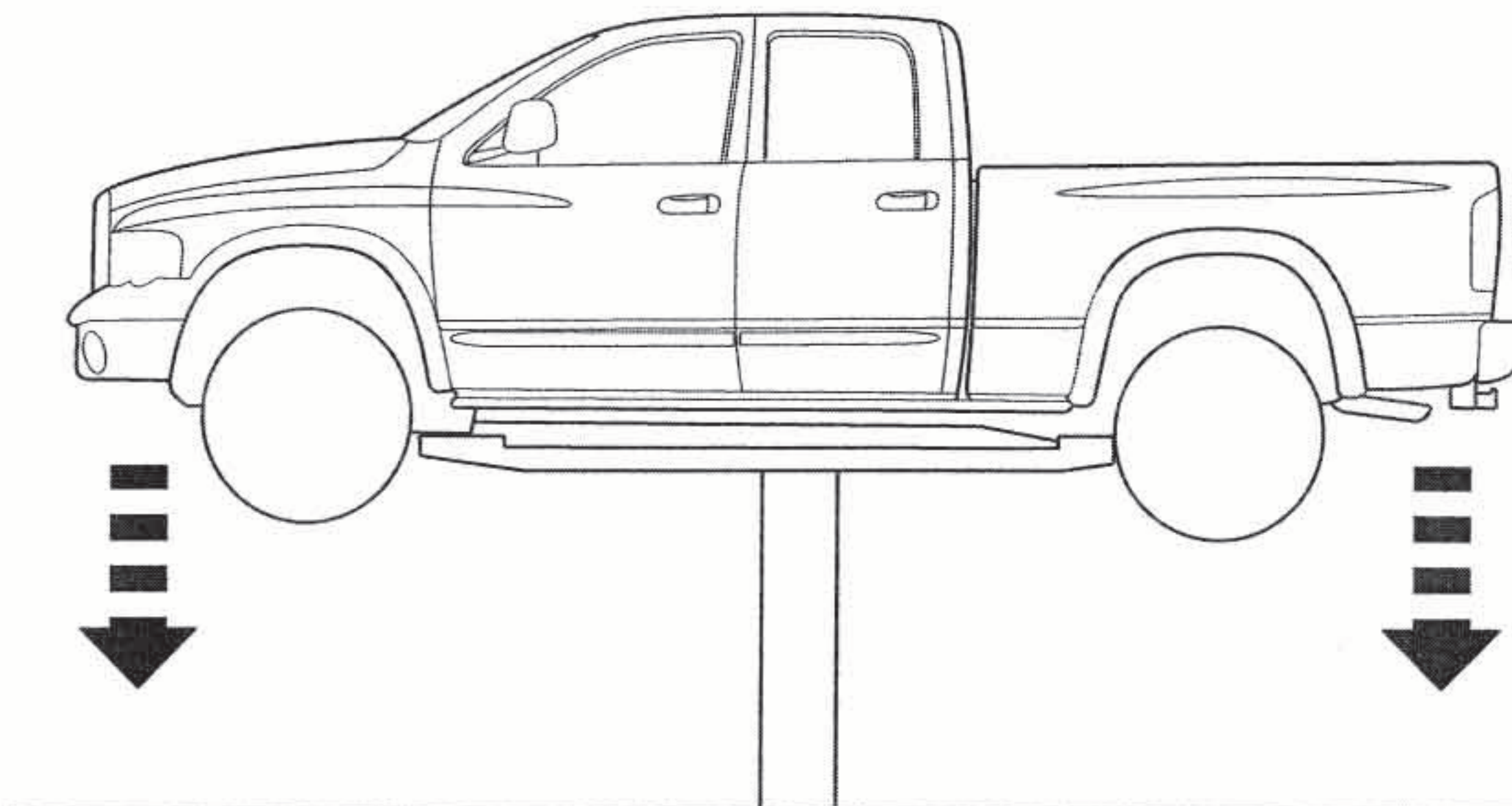
2005 - 2006 MY



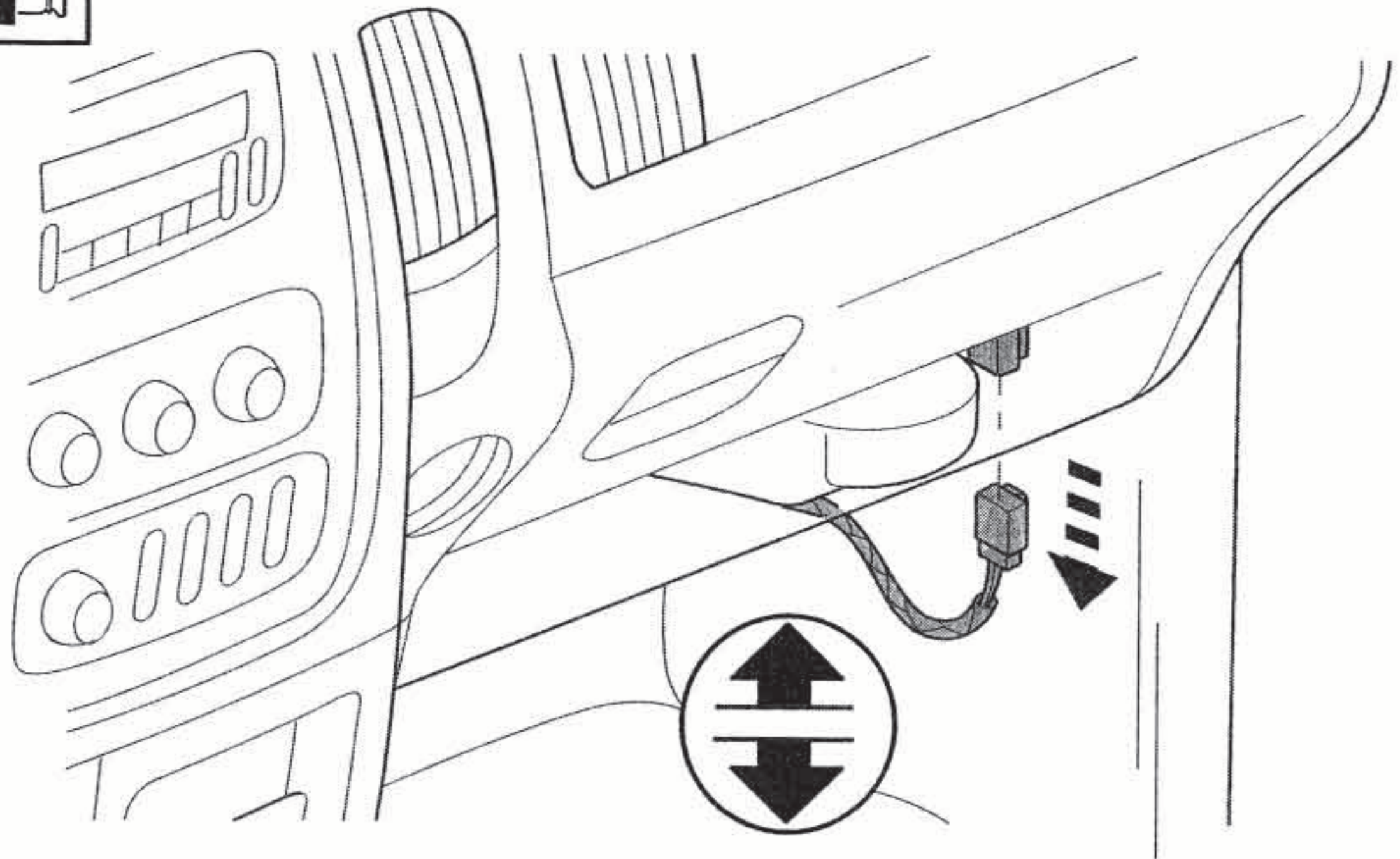
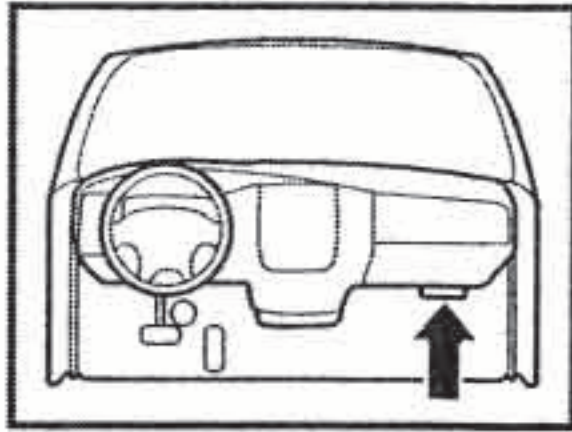
2003 - 2004 MY



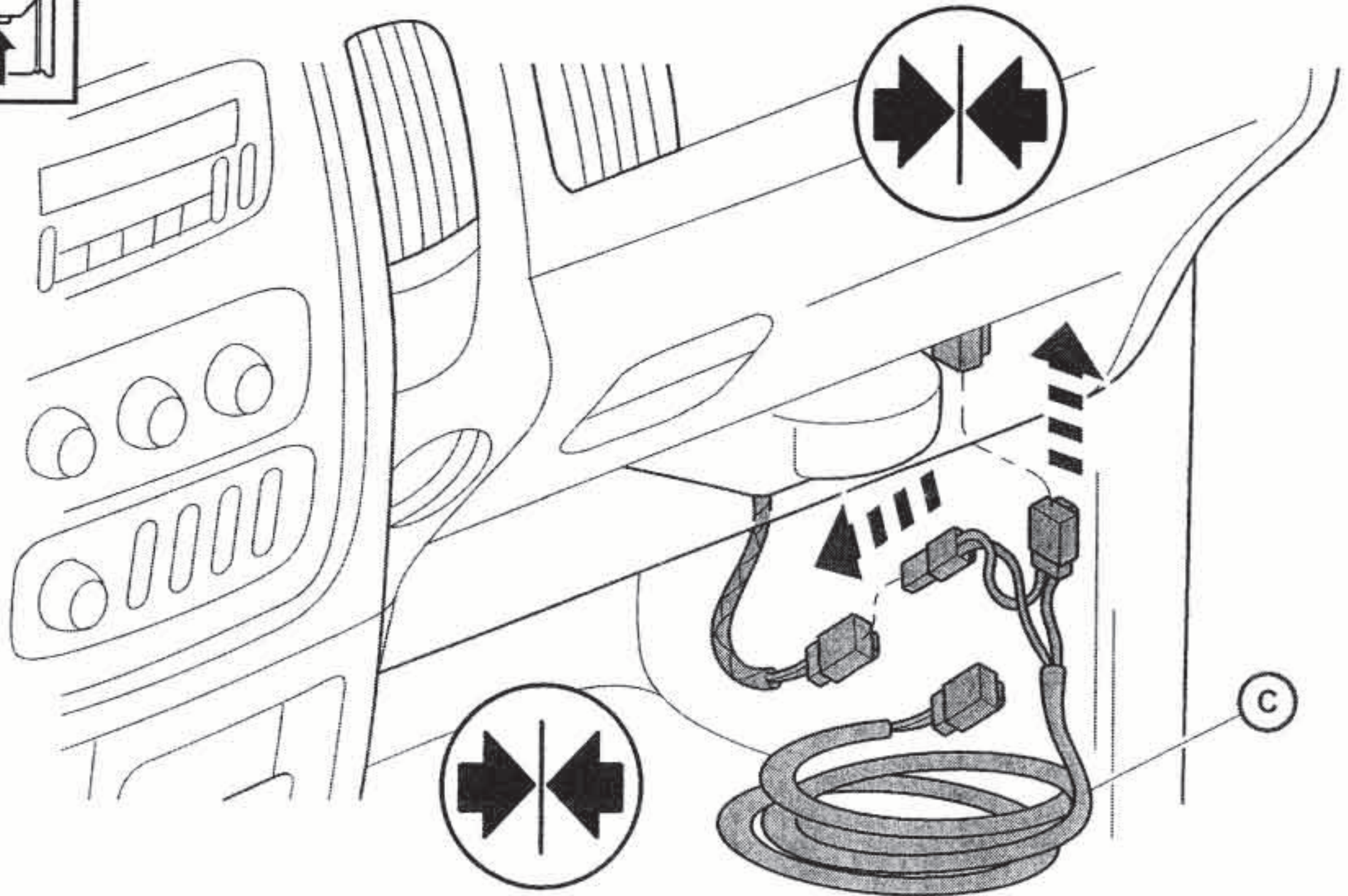
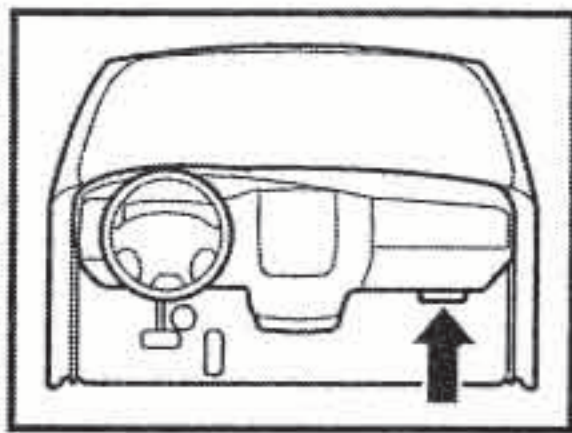
21



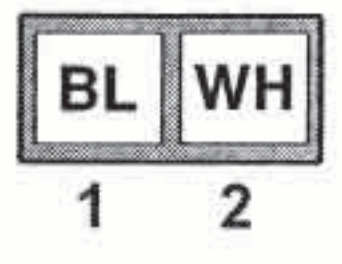
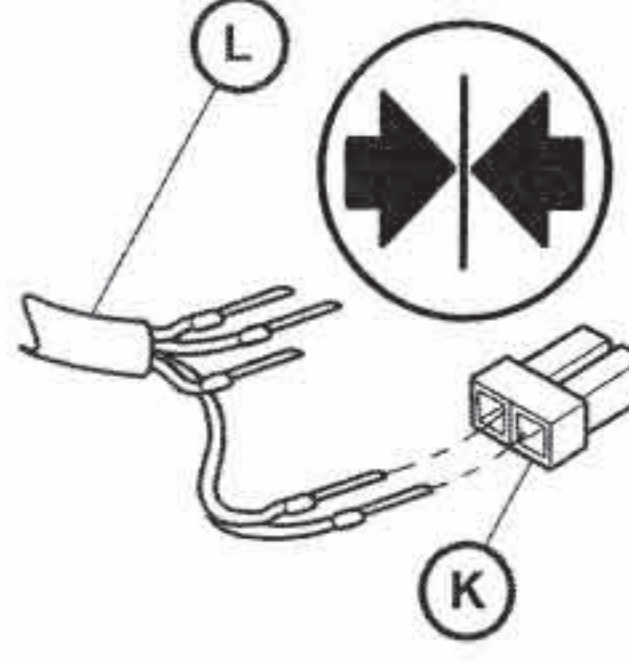
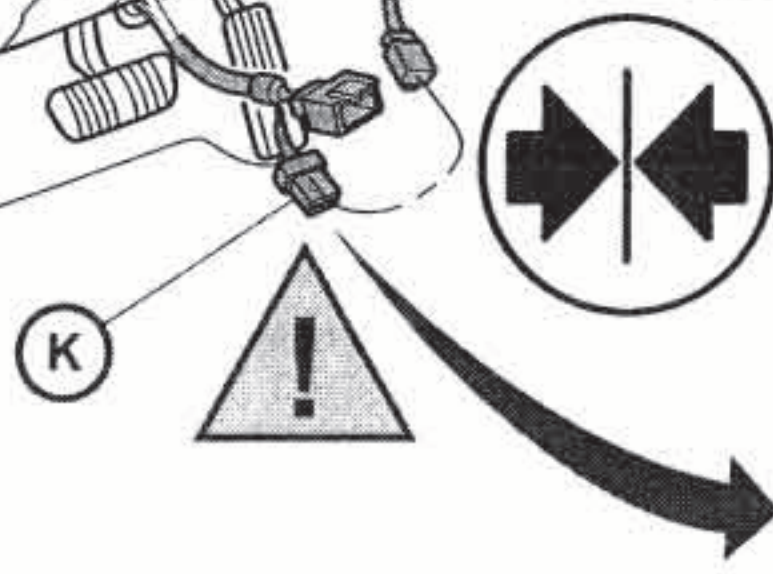
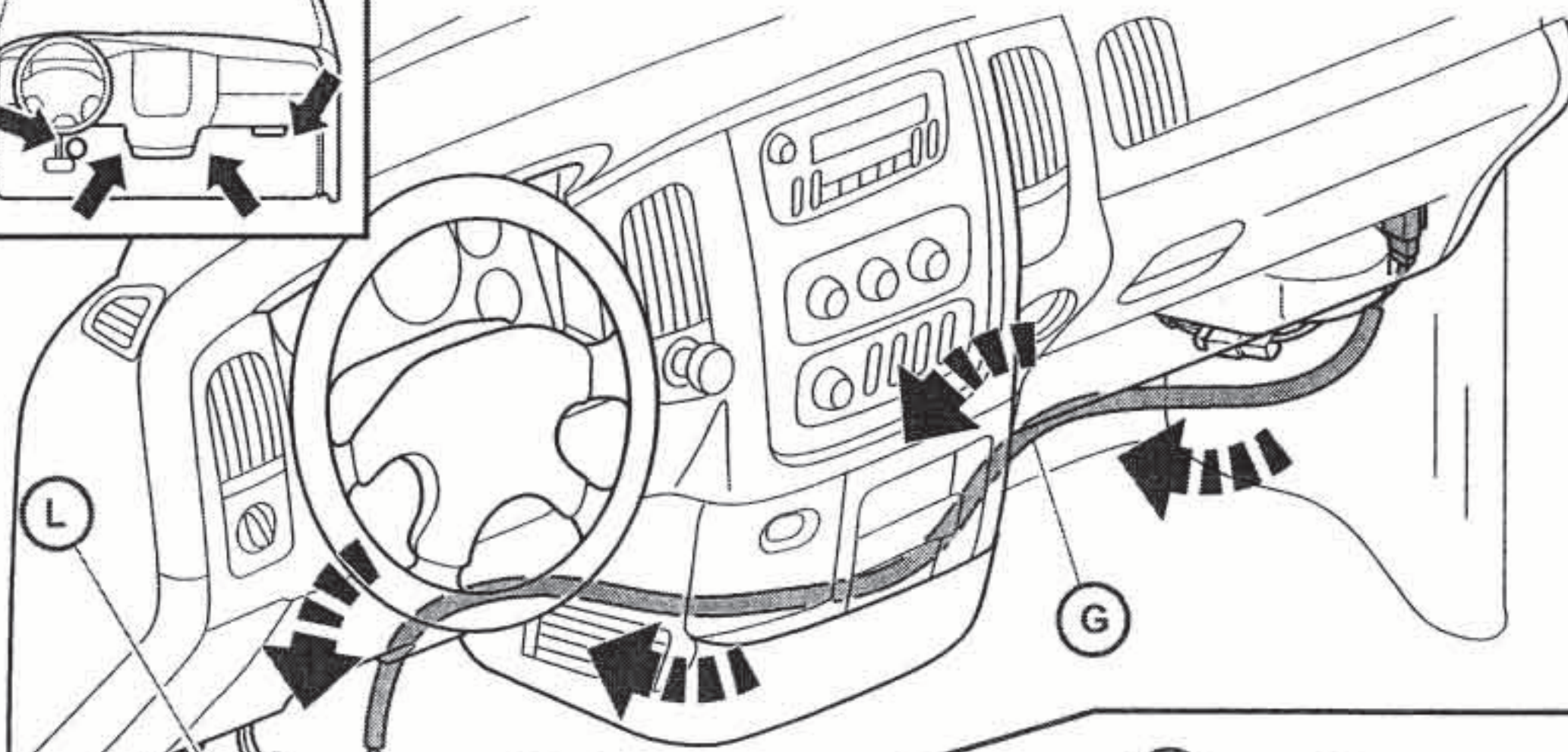
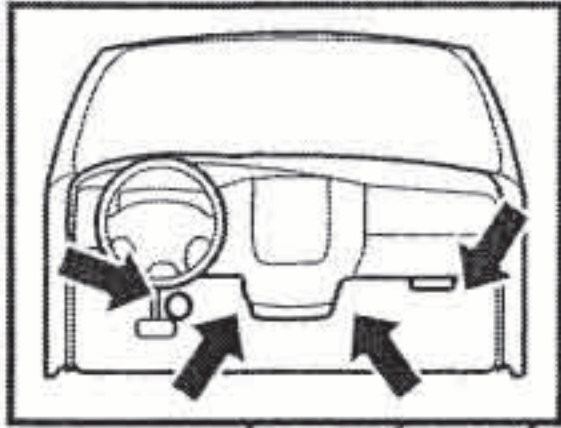
22



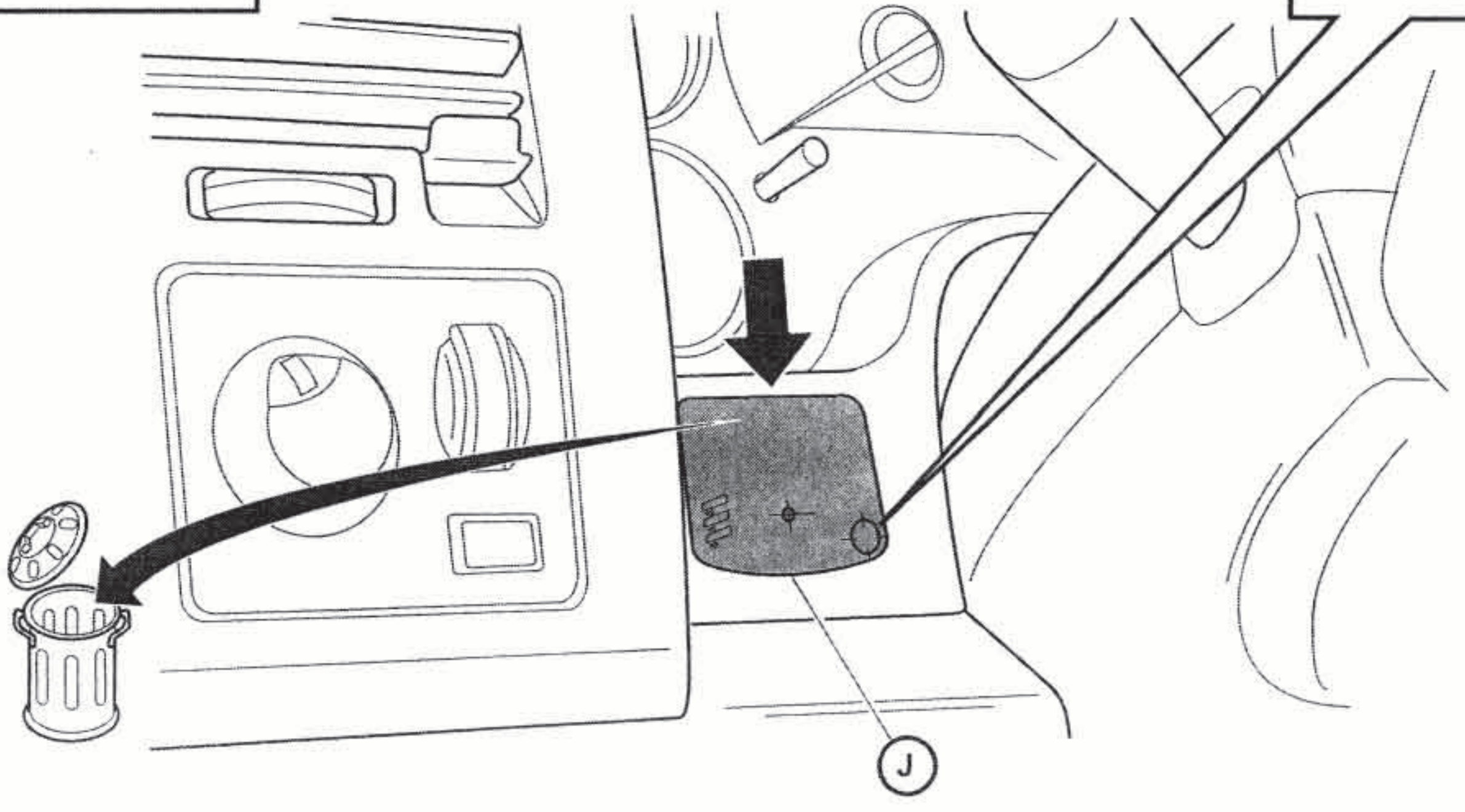
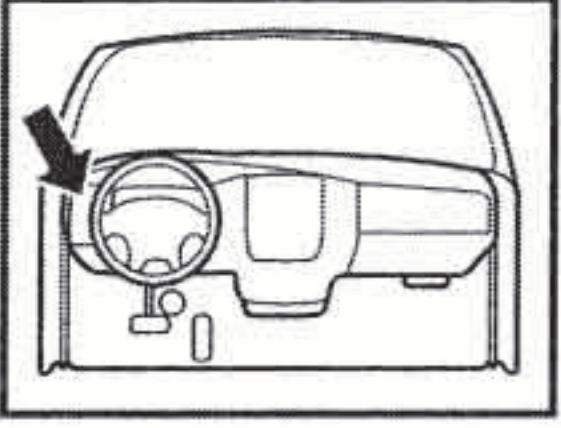
23



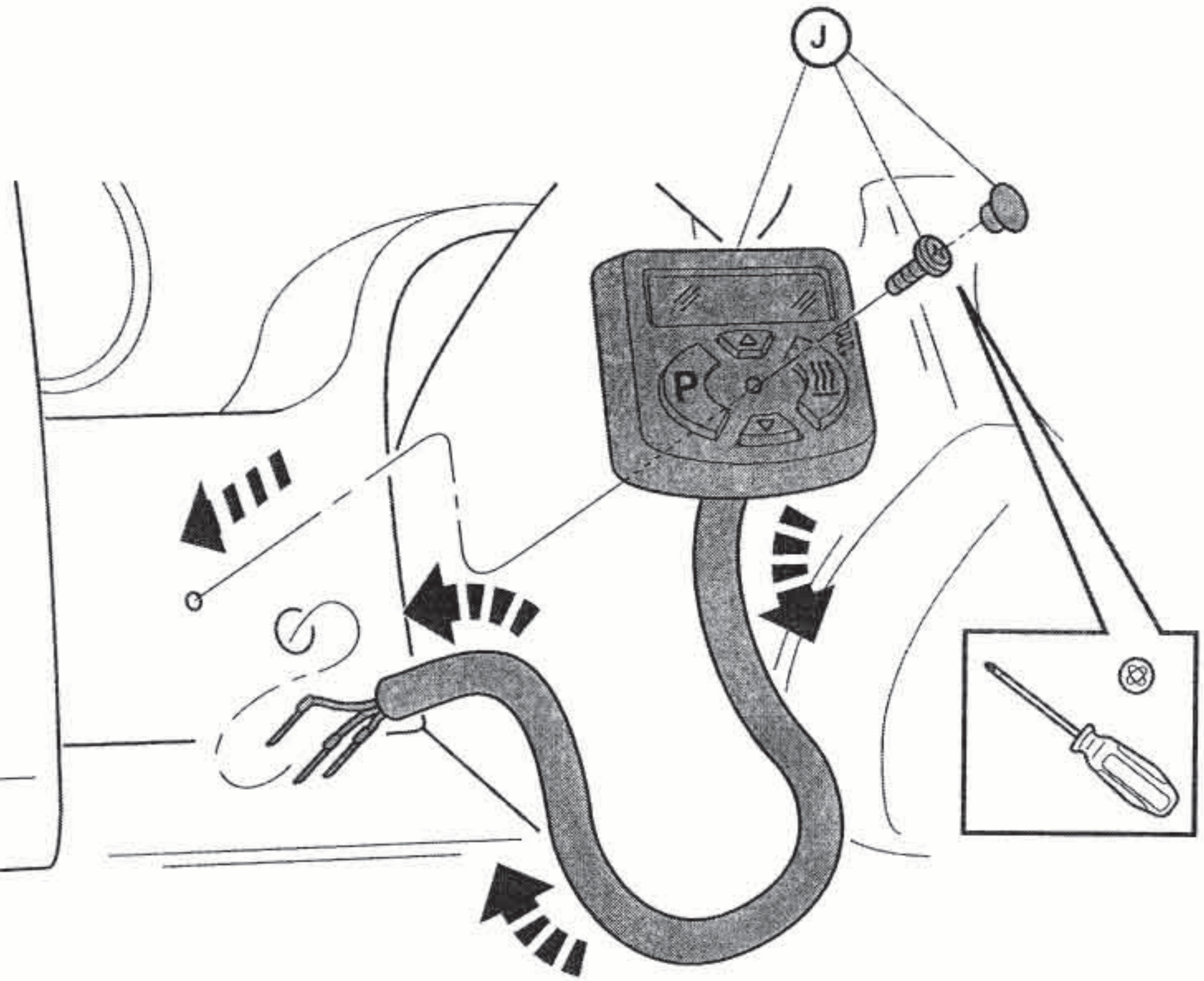
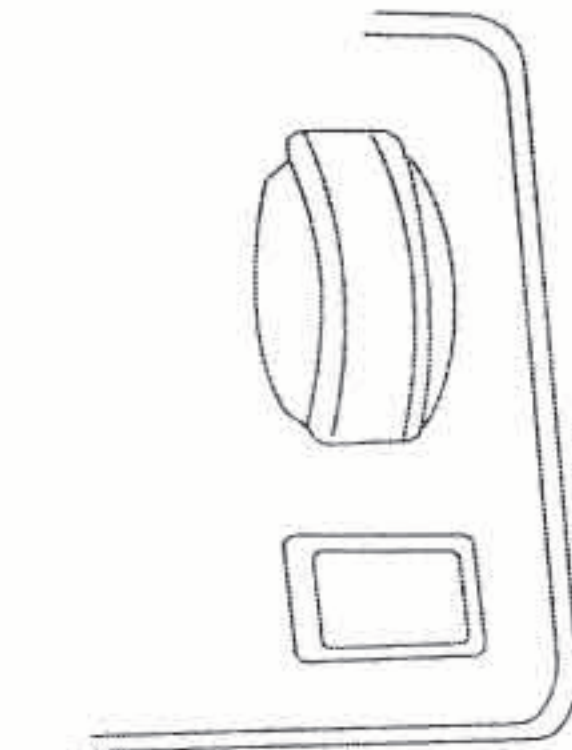
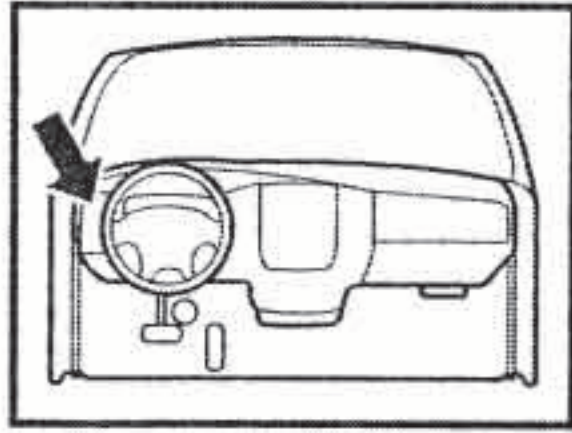
24



25



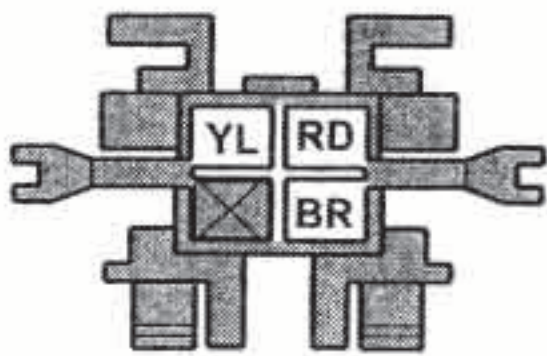
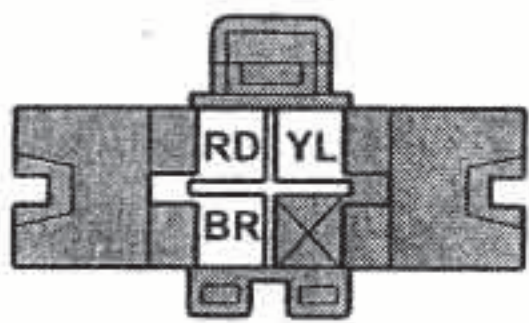
26



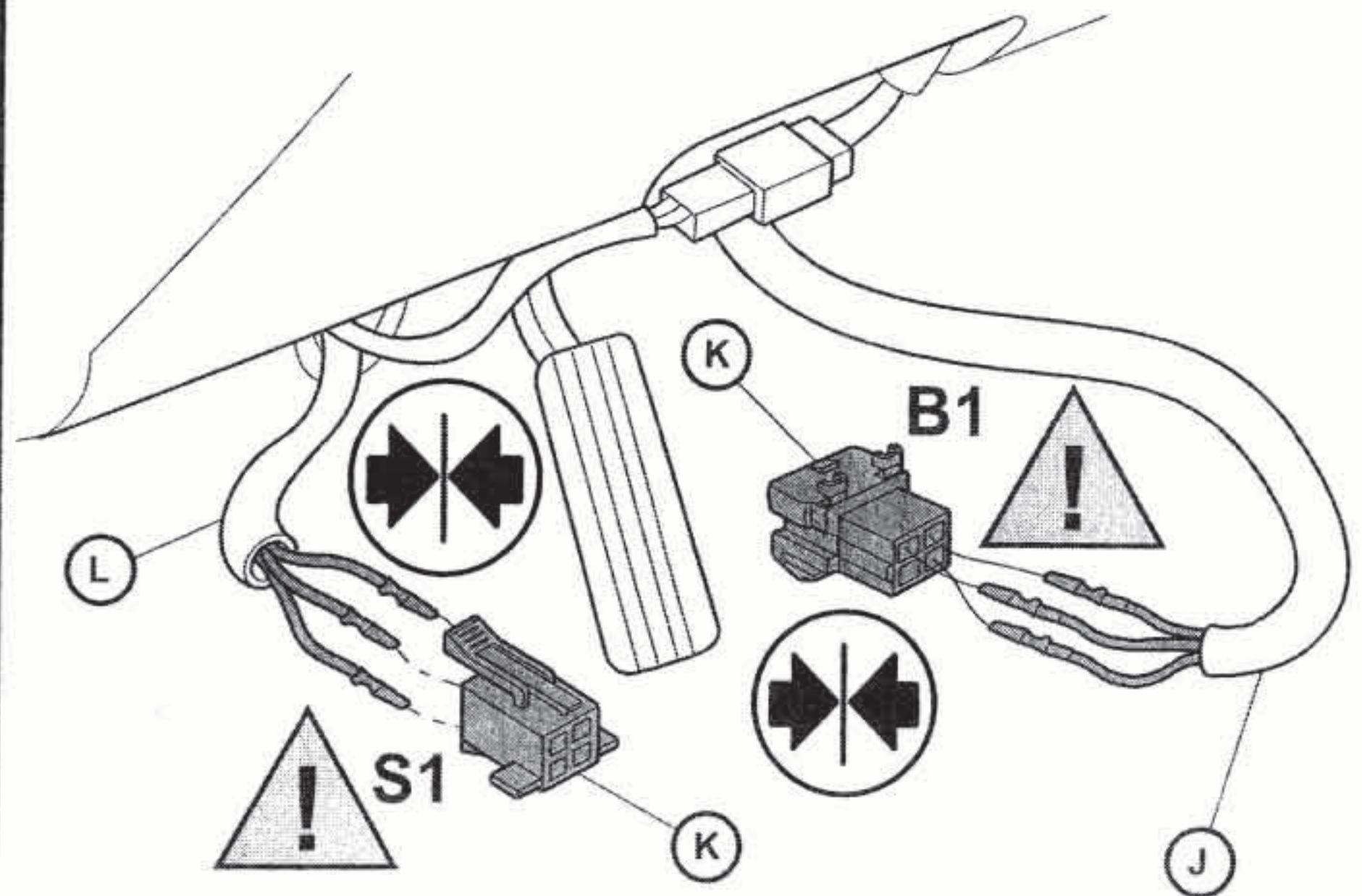
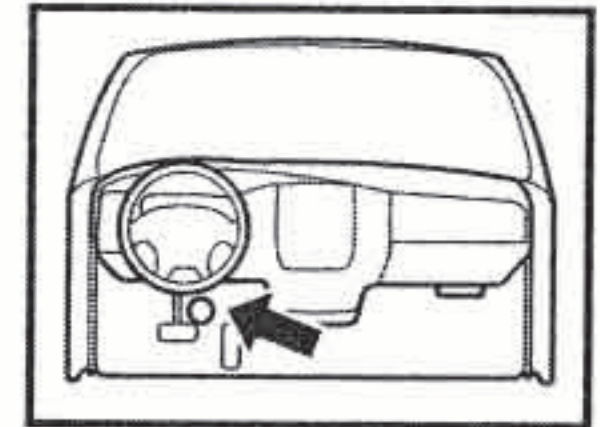
27



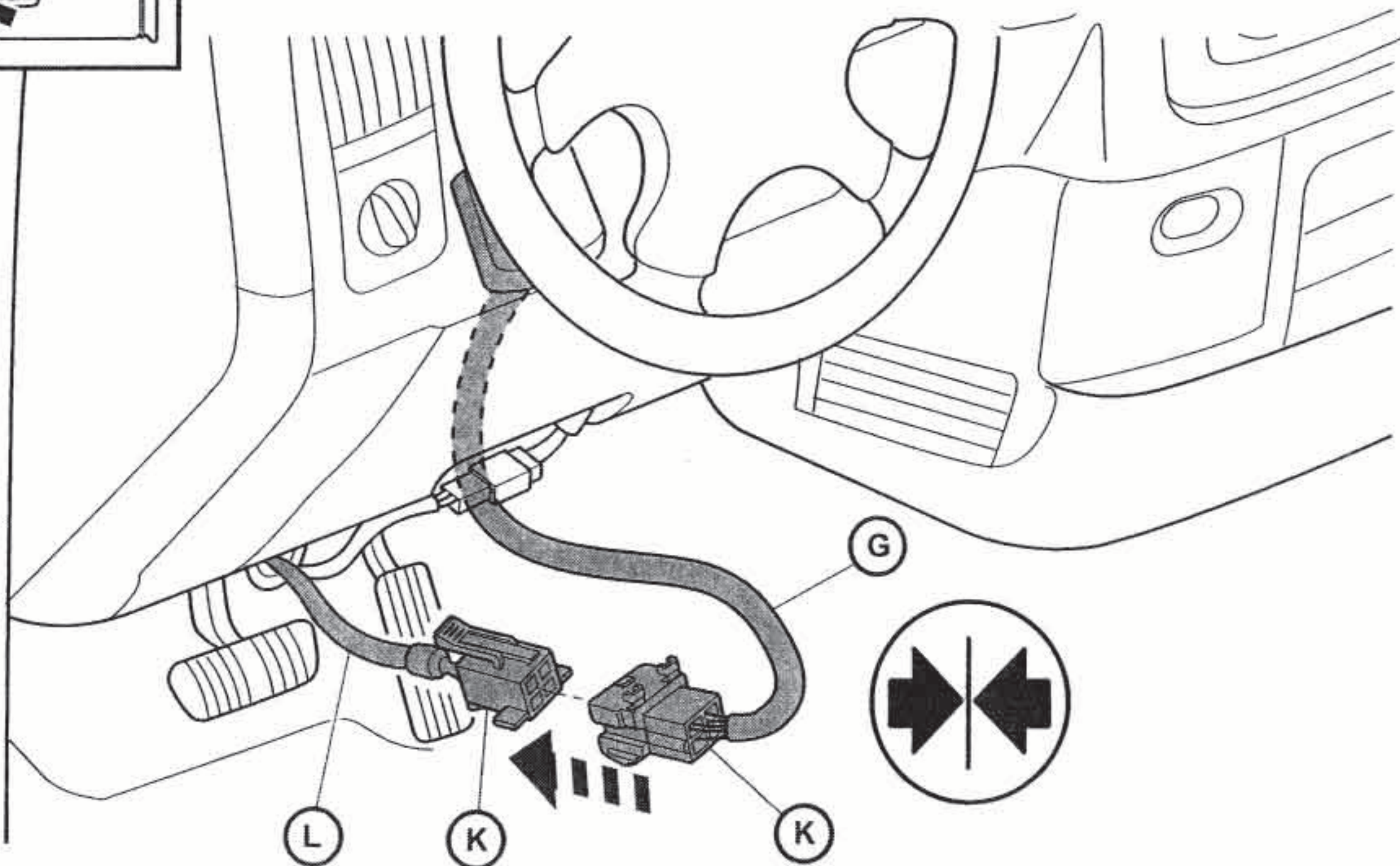
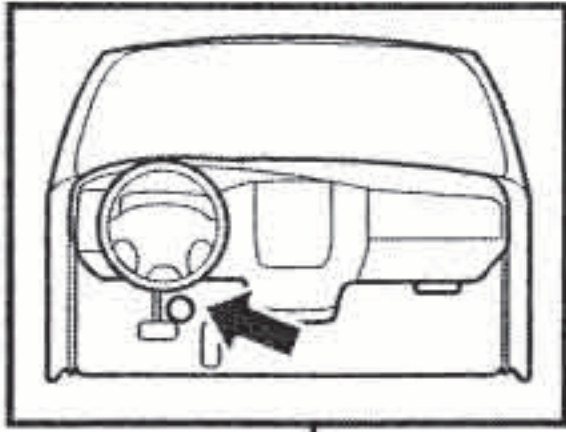
S1



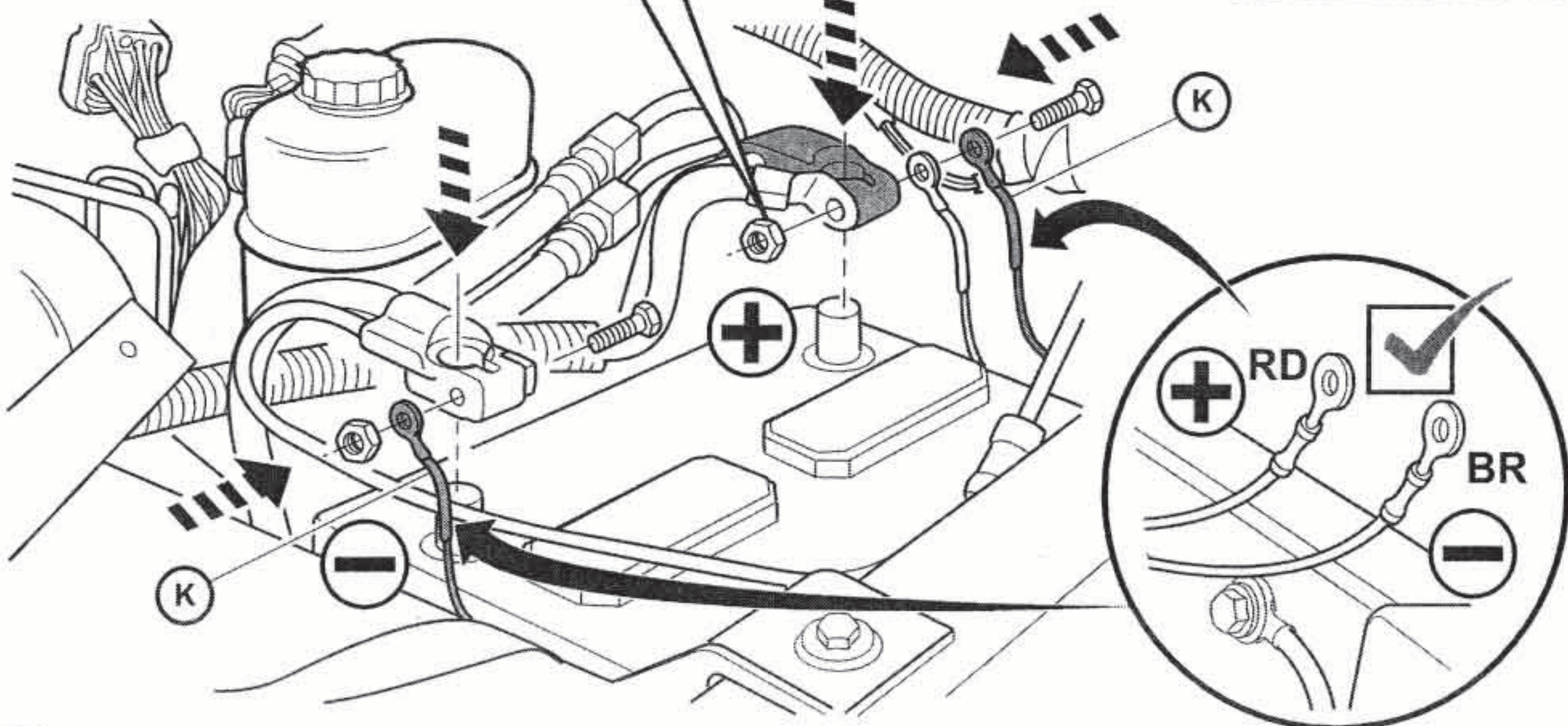
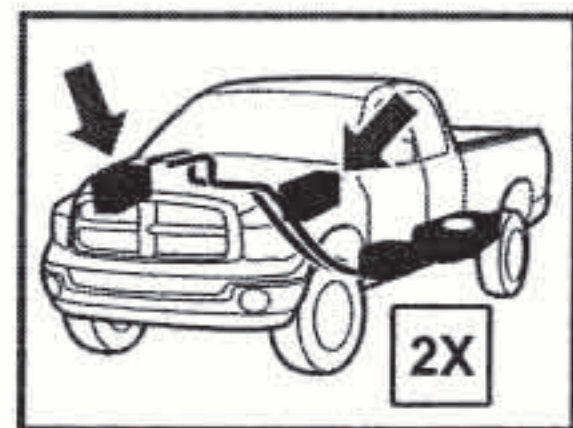
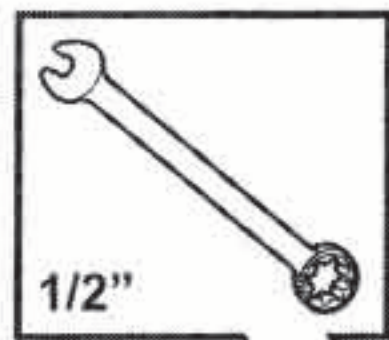
B1



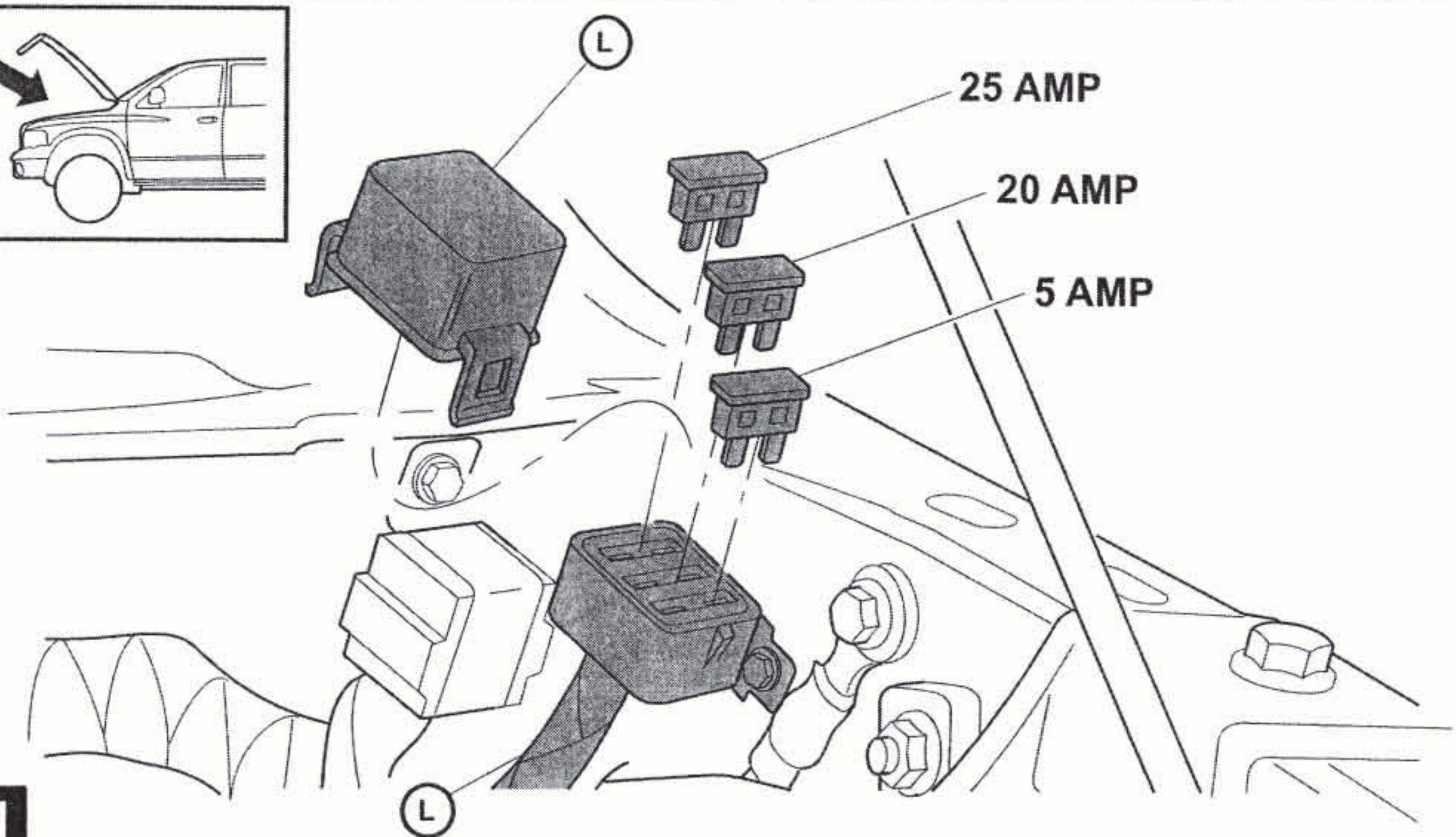
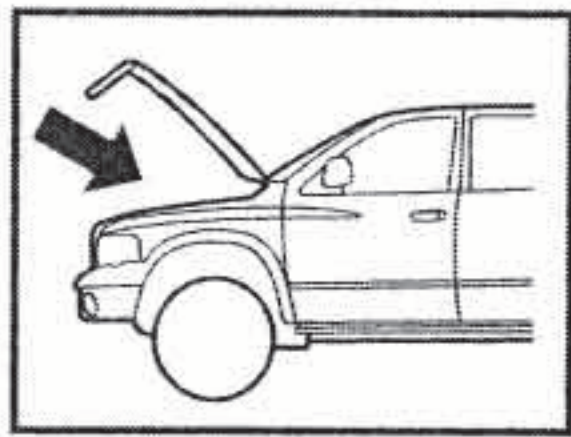
28



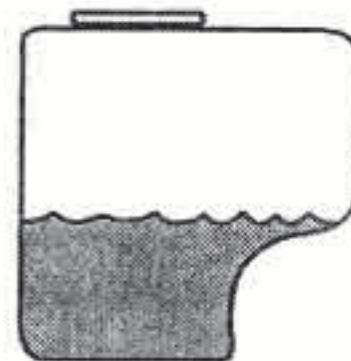
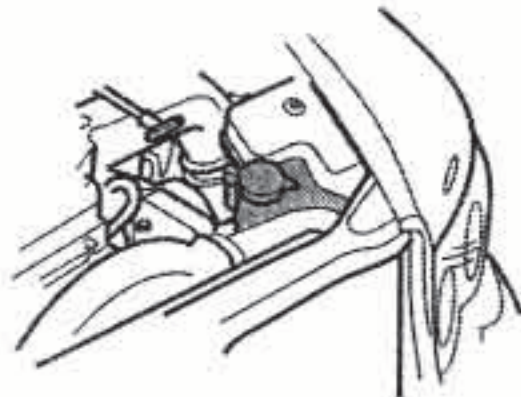
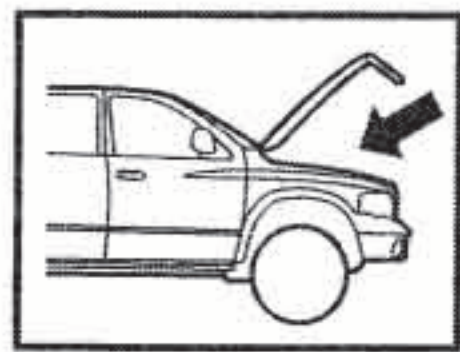
29



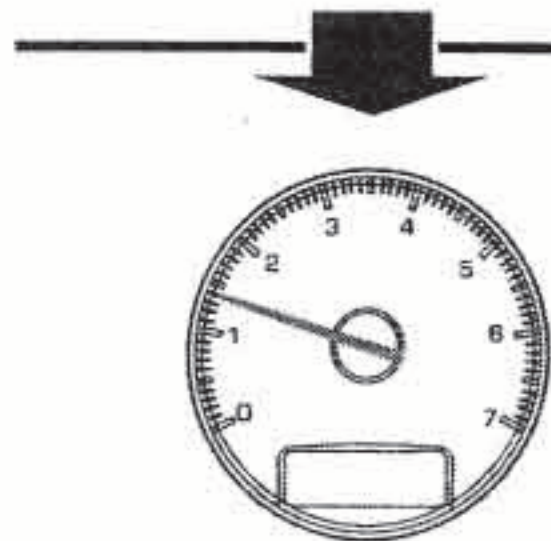
30



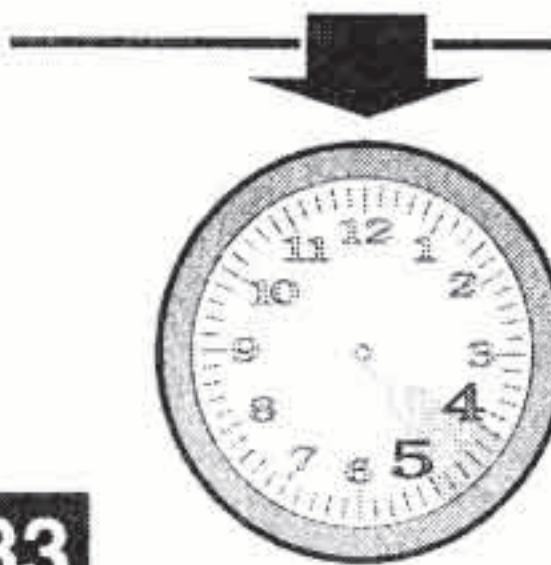
31



32

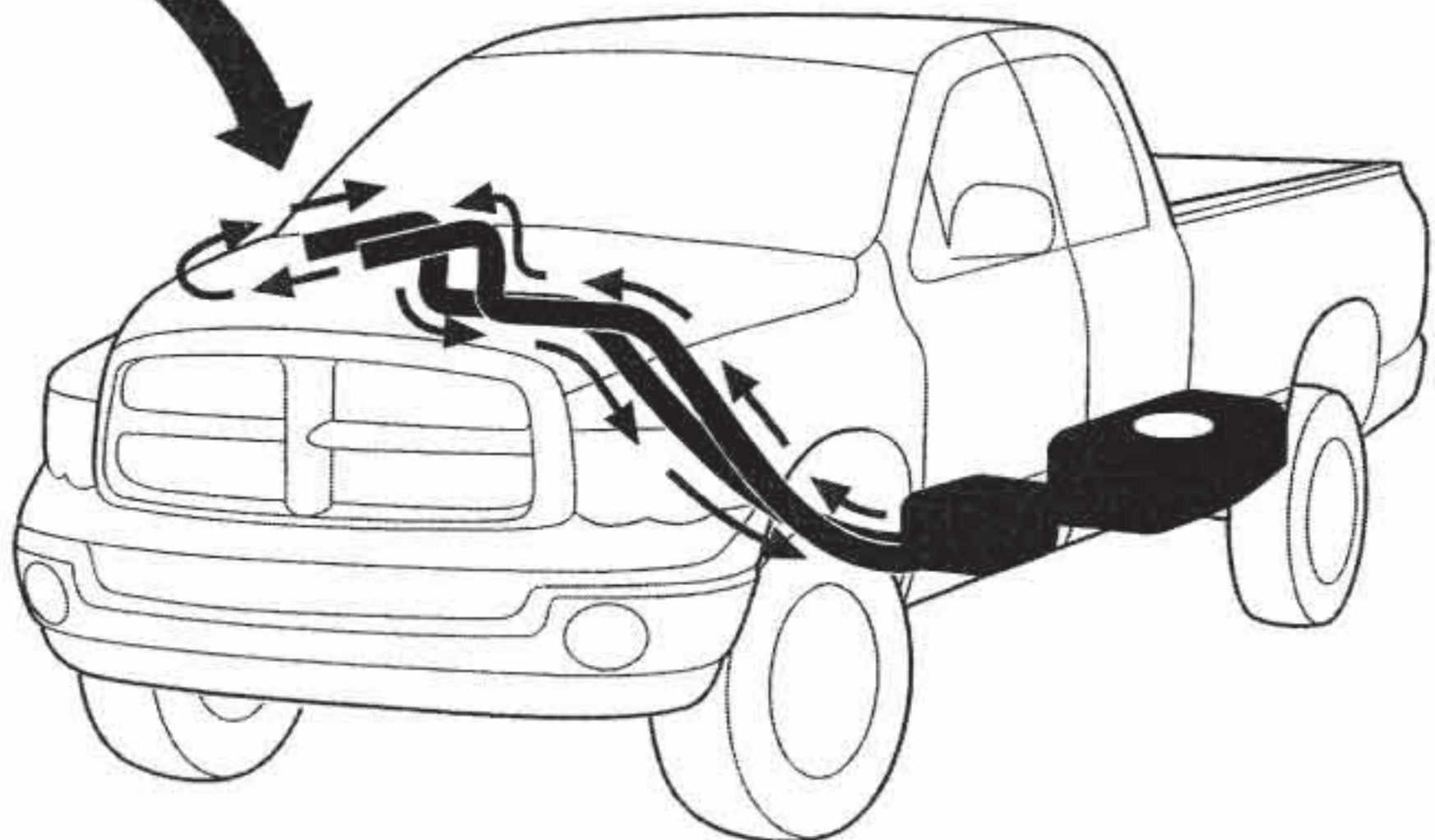


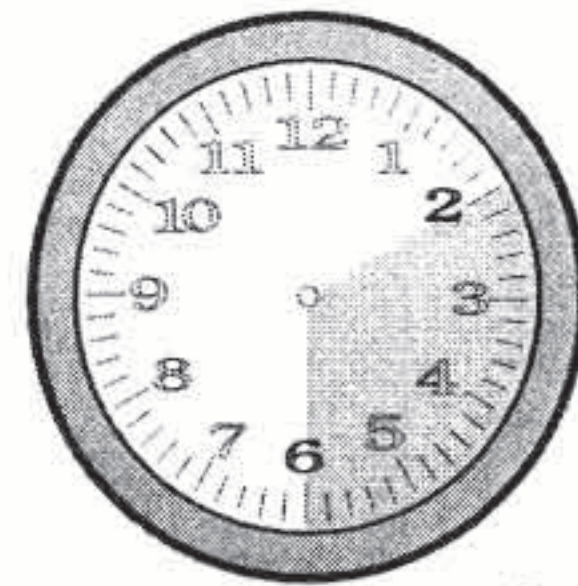
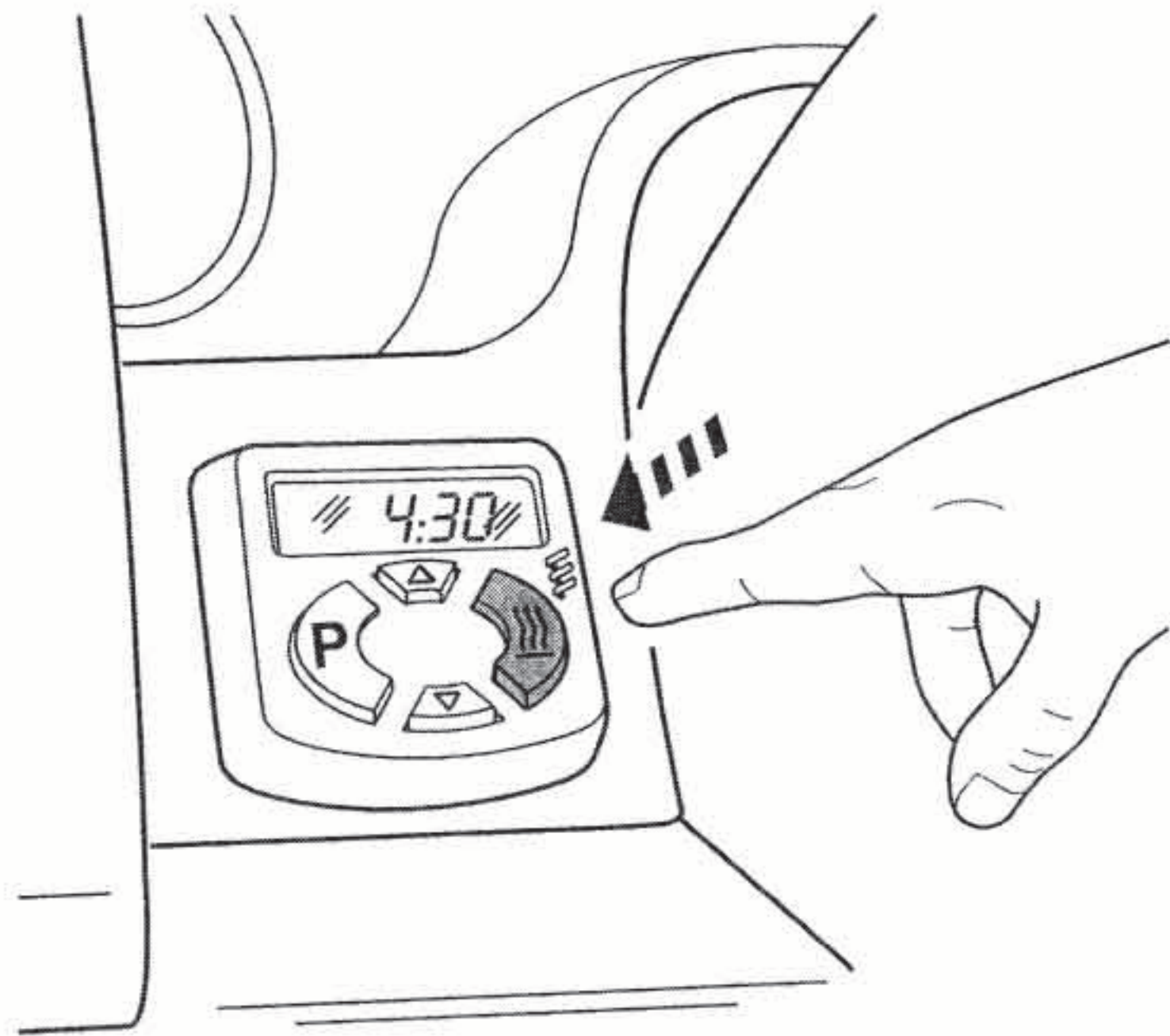
RPM
1800



4-5
Min

33

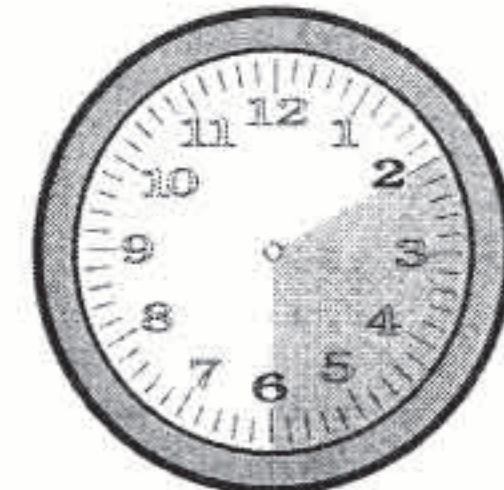
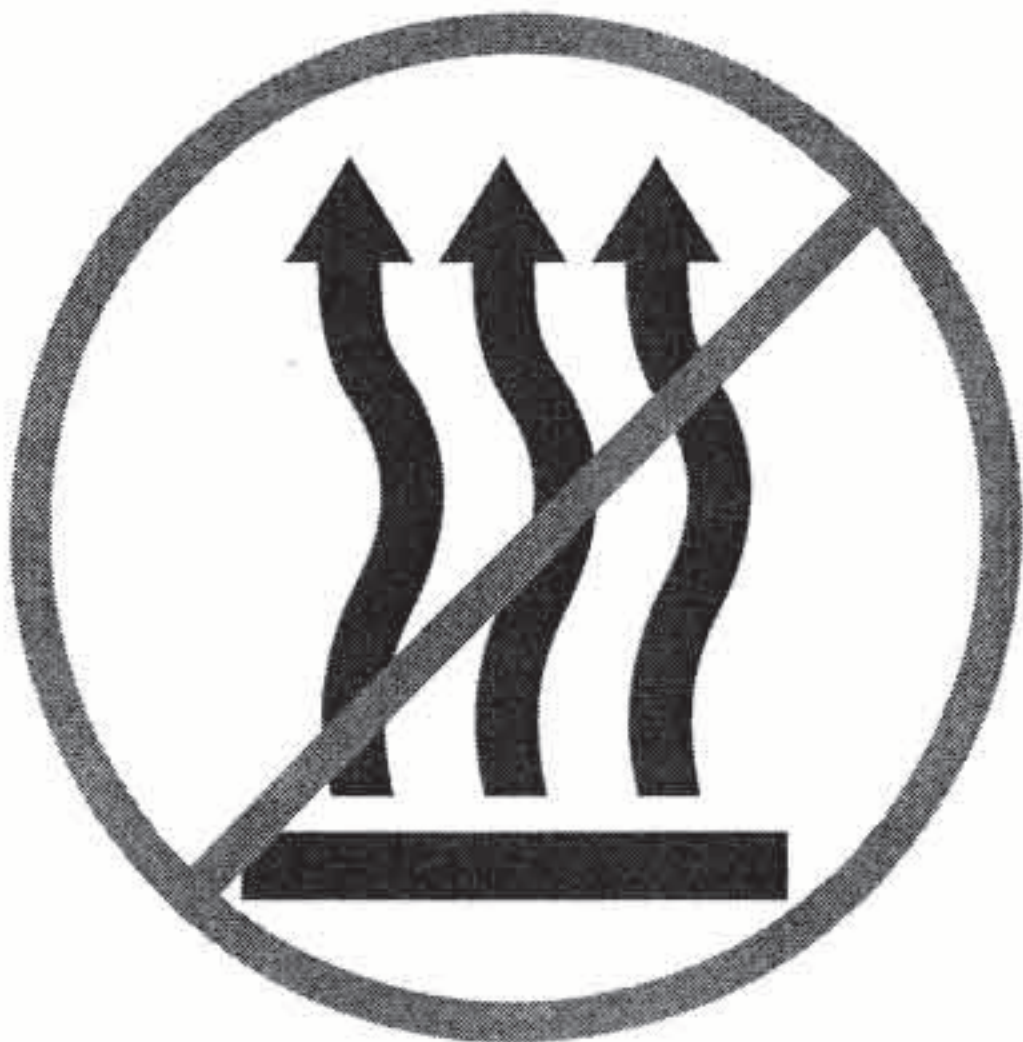




2-6
Min



34



2-6
Min



1-800-387-4800 - USA
1-800-668-5676 - Canada

35