

93 Ram Pickup

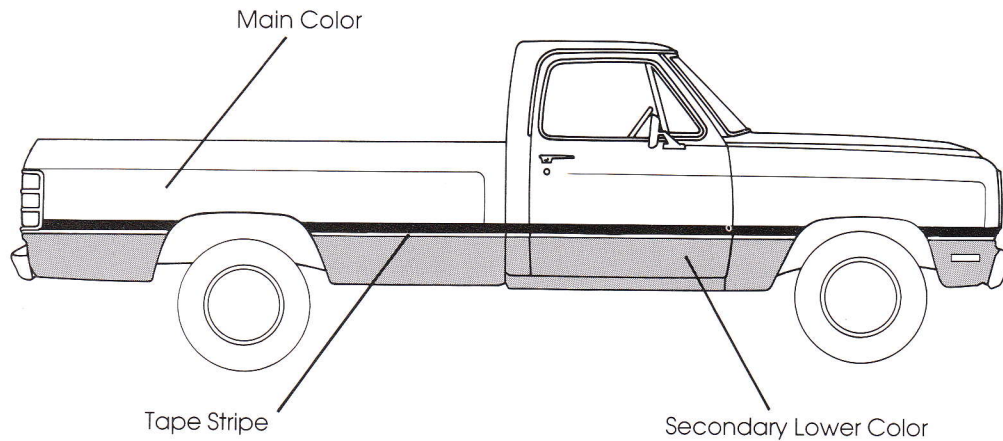
Two-Tone Availability



TWO-TONE PAINT PROCEDURES (E)
INCLUDES MOLDINGS AND TAPE STRIPE AS SHOWN

PROCEDURE 6D (E)

(Rear fender on dual-rear-wheel pickups is painted main upper body color)



PROCEDURE 6C (E)

(Rear fender on dual-rear-wheel pickups is painted main upper body color)

