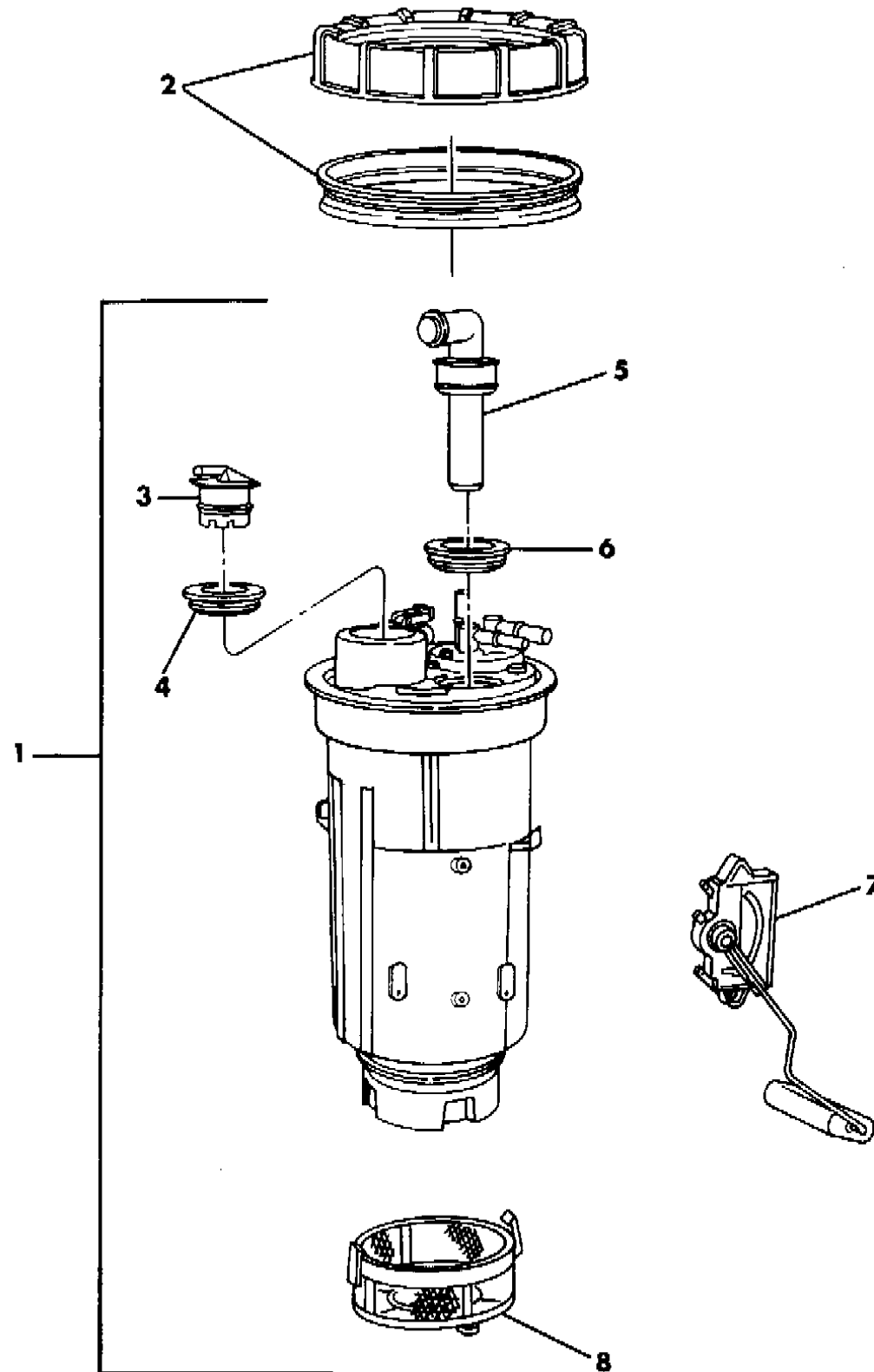


FUEL PUMP AND LEVEL UNIT 2.5, 3.9, 5.2 AND 5.9 ENGINES B,N,D BODY 1991-92-93
Figure 14-2925

90314 2925



ITEM	PART NUMBER	QTY	BODY	MODEL	DESCRIPTION
1					PUMP, Fuel
	5200 4835	1	B		1991
	5201 7632	1	B		22 Gallon, 1992-93
	4728 729	1	B		35 Gallon, 1992-93
	5212 7763	1	B		35 Gallon (Returnless System) 1993-931/2
	4762 406	1	N		15 Gallon Tank, 1991-93
	4762 405	1	N		22 Gallon Tank, 1991-93
	5201 7814	1	D	Exc. D4	1991
	5201 7634	1	D	Exc. D4	1992-3
	5200 4837	1	D	4,8	1991
	5201 7635	1	D	4,8	1992-3
	5201 8061	1	D		5.9 Eng., 34 Gallon Tank, 1993
	5201 7916	1	D		5.9 Eng., 30 Gallon Tank, 1993
2	4638 134	1			GASKET and LOCK NUT PACKAGE, Fuel Pump ***
3	4279 941	1			VALVE, Rollover (See Note)
4	4002 149	1			GROMMET, Rollover Valve
5					NIPPLE, Vent
	5200 6098	1	B		22 Gal. Tank
	5200 6099	1	B		36 Gal. Tank
	5200 6368	1	D		22 Gal. Tank, 1992
	5200 6215	1	N		
6	5217 802	AR			GROMMET, Fuel Fill Vent
7					UNIT, Level
	5201 7992	1	B,D		1991-93
	4761 780	1	N		15 Gallon Tank, 1991-93
	4761 651	1	N		22 Gallon Tank, 1991-93
8	4864 307	1			FILTER, Fuel, 1993

NOTE: The Rollover Valve for a B Body with a 36 Gal. tank is mounted in the Tank. Use Plug 52006547 in place of the Rollover Valve on the Fuel Pump. ion as described in the Chrysler repair manual.

MODEL CODES:

TRUCK LINE
 N1 = MID SIZE PICK-UP (4x2)
 N5 = MID SIZE PICK-UP (4x4)
 D1,2,3 = CONVENTIONAL TRUCK (4x2)
 D4 = SPORT UTILITY (4X2)
 D5,6,7 = CONVENTIONAL TRUCK (4x4)
 D8 = SPORT UTILITY (4x4)
 B1,2,3 = VANS AND WAGONS (4x2)
 T = FRONT SECTION (4X2)

BODY STYLE

WHEELBASE:	WAGONS	FRT SECT	CONVENTIONAL	SPORT UTILITY
VANS	(51) = 109" W.B.	(02) = 127" W.B.	(61) = 115" W.B.(D/W) (61) = 111.9" W.B.(N)	(71) = 106" W.B.
(11) = 109" W.B.	(52) = 127" W.B.	(04) = 145" W.B.	(62) = 131" W.B.(D/W) (62) = 123.9" W.B.(N)	CLUB CAB
(12) = 127" W.B.	(53) = 127X" W.B.	(05) = 163" W.B.	(63) = 135" W.B.	(31) = D1
(13) = 127X" W.B.			(64) = 159" W.B.	(32) = D1,D2,D5,D6
			(31) = 130,9" W.B.	

AR = Use as Required - = Non Illustrated Part P.A.R. = Paint as Required