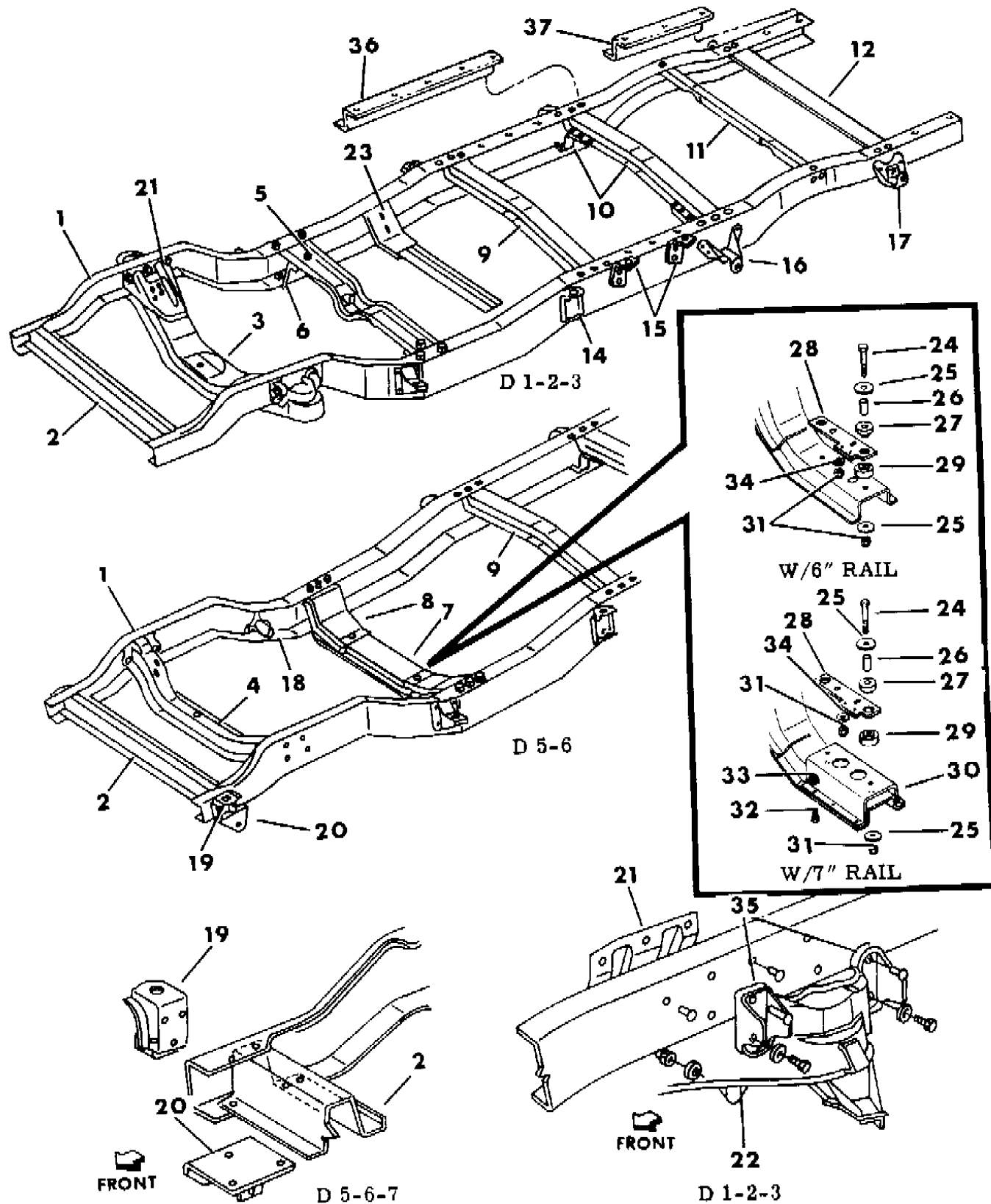


FRAME D BODY EXC 4,8

Figure 13-500

90313 500



ITEM	PART NUMBER	QTY	BODY	MODEL	DESCRIPTION
	4447 174	1	D	1,2,3	1991-92-93
3	4213 497	1			CROSSMEMBER, Frame, Prop Shaft Center Bearing
					CROSSMEMBER, Front Suspension and Engine Support
	4086 974	1	D		133" W.B. 1990
	4404 044	1	D	1,2	149" W.B. 1990
	4447 599	1	D	1,2,3	133" - 149" W.B. 1991-93
4	4447 602	1	D		4000 Lb. Front Axle, 1990-91
	4447 602	1	D	2,3	149" W.B. 1992-93, w/Diesel Eng.
		1	D	5,6,7	CROSSMEMBER, Engine Front Support
	4404 058				1990-91
	5205 7636				1992-93
5	4447 653	1	D	1,2,3	CROSSMEMBER, Engine Rear Support
6					BRACE, Frame Engine Rear Support Crossmember
					Right
	4447 178	1	D	1,2	
	4447 178	1	D	3	131" W.B.
	4447 179	1	D	3	131" W.B. w/ Diesel Engine
	4447 179	1	D	3	135" & 159" W.B.
					Left
	4447 157	1	D	1,2	
	4447 157	1	D	3	131" W.B.
	4447 216	1	D	1,2,3	Right
	4447 227	1	D	3	131" W.B. w/Diesel Engine
	4447 227	1	D	3	135" & 159" W.B.
7					CROSSMEMBER, Engine Rear Support
	4447 476			5,6,7	
	6025 011	2	D	7	NUT AND WASHER, Trans. Rear Support Crossmember to Frame Bolt
8					BRACE, Frame Eng. Rear Supt Crossmember
	4447 479	2	D	5,6	
	4447 479	2	D	7	131" W.B.
	4322 661	2	D	7	131" W.B. w/Diesel Engine
	4322 661	2	D	7	135" W.B.
	4322 661	1	D	5,6,7	149" W.B.
	9		1		
	4213 497				1990
	4447 672				1991-93
10		1			CROSSMEMBER, Rear Spring, Front
	4210 996				1990

MODEL CODES:

TRUCK LINE
 N1 = MID SIZE PICK-UP (4x2)
 N5 = MID SIZE PICK-UP (4x4)
 D1,2,3 = CONVENTIONAL TRUCK (4x2)
 D4 = SPORT UTILITY (4x2)
 D5,6,7 = CONVENTIONAL TRUCK (4x4)
 D8 = SPORT UTILITY (4x4)
 B1,2,3 = VANS AND WAGONS (4x2)
 T = FRONT SECTION (4x2)

BODY STYLE

WHEELBASE:	WAGONS	FRT SECT	CONVENTIONAL	SPORT UTILITY
VANS	(51) = 109" W.B.	(02) = 127" W.B.	(61) = 115" W.B.(D/W) (61) = 111.9" W.B.(N)	(71) = 106" W.B.
(11) = 109" W.B.	(52) = 127" W.B.	(04) = 145" W.B.	(62) = 131" W.B.(D/W) (62) = 123.9" W.B.(N)	CLUB CAB
(12) = 127" W.B.	(53) = 127X" W.B.	(05) = 163" W.B.	(63) = 135" W.B.	(31) = D1
(13) = 127X" W.B.			(64) = 159" W.B.	(32) = D1,D2,D5,D6
			(31) = 130,9" W.B.	

AR = Use as Required - = Non Illustrated Part P.A.R. = Paint as Required