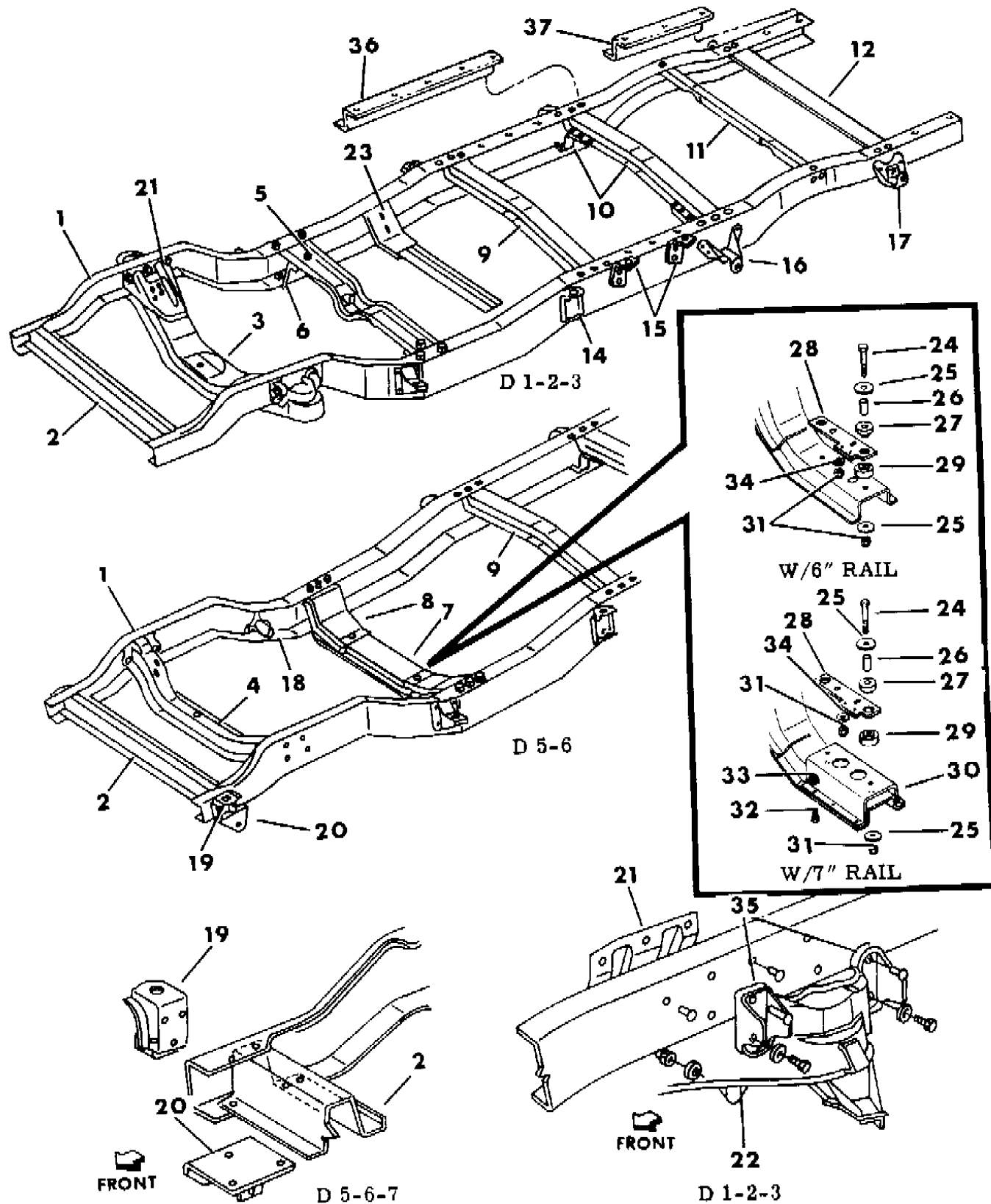


FRAME D BODY EXC 4,8

Figure 13-500

90313 500



ITEM	PART NUMBER	QTY	BODY	MODEL	DESCRIPTION
	3637 897	2	D	1,2,3	BRACKET, Frt. Susp.C/Mem. Jounce Bumper (Not Illustrated)
22	3491 139	2	D	1,2,3	BRACKET, Frame, Front Susp. Lower Control Arm Mounting
23	4115 494	2			BRACE, C/Member Prop Shaft, Center Bearing
	2231 677	AR			GROMMET, Frame C/Member (Not Illustrated)
24	0271 885	2	D	5,6,7	BOLT, (5/8-11 x 3.25)
25		4	D	5,6,7	WASHER, Flat (Not Serviced)
26		2	D	5,6,7	SPACER, (Not Serviced)
27	3820 921	2	D	5,6,7	INSULATOR, Upper
28	4412 168	1	D	5,6,7	PLATE
29	4106 710	2	D	5,6,7	INSULATOR, Lower
30	4447 201	1	D	7	ADAPTER, Frame Engine Rear Support Crossmember
31	0152 352	4	D	5,6,7	NUT, Lock (5/8-11)
32	6024 027	6	D	5,6,7	BOLT (7/16-14 x 1.25)
33		6	D	5,6,7	NUT (7/16-14) (Not Serviced)
34	6028 776	2	D	5,6,7	WASHER, Coned
35	4447 480-1	1	D	1,2,3	BRACKET, Frame Upper Control Arm Shock Absorber Mounting
36					FRAME ADAPTER, "Z Brackets", Body Mounting, Front
	4149 550	2	D	2,3,7	131" W.B.
	4149 549	2	D	3,7	135" W.B.
	4149 853	2	D	3	159" W.B.
37					FRAME ADAPTER, "Z Brackets", Body Mounting, Rear
	4149 551	2	D	2,3,7	131" W.B.
	4149 848	2	D	3,7	135" W.B. & 159" W.B.
	6031 993	AR		D	BOLT and WASHER, Frame Adapter Mounting
	6025 022	AR		D	NUT and WASHER, Frame Adapter Mounting Bolt
	4447 405	1			BRACKET, Frame Rail Steering Gear Reinforcement
	4499 186-7	1			BRACKET, Underbody Front Hold Down
	4522 043	2			T-PLATE, Underbody Front Or Rear Hold Down Bracket

MODEL CODES:

TRUCK LINE
 N1 = MID SIZE PICK-UP (4x2)
 N5 = MID SIZE PICK-UP (4x4)
 D1,2,3 = CONVENTIONAL TRUCK (4x2)
 D4 = SPORT UTILITY (4x2)
 D5,6,7 = CONVENTIONAL TRUCK (4x4)
 D8 = SPORT UTILITY (4x4)
 B1,2,3 = VANS AND WAGONS (4x2)
 T = FRONT SECTION (4x2)

BODY STYLE

WHEELBASE:	WAGONS	FRT SECT	CONVENTIONAL	SPORT UTILITY
VANS	(51) = 109" W.B.	(02) = 127" W.B.	(61) = 115" W.B.(D/W) (61) = 111.9" W.B.(N)	(71) = 106" W.B.
(11) = 109" W.B.	(52) = 127" W.B.	(04) = 145" W.B.	(62) = 131" W.B.(D/W) (62) = 123.9" W.B.(N)	CLUB CAB
(12) = 127" W.B.	(53) = 127X" W.B.	(05) = 163" W.B.	(63) = 135" W.B.	(31) = D1
(13) = 127X" W.B.			(64) = 159" W.B.	(32) = D1,D2,D5,D6
			(31) = 130,9" W.B.	

AR = Use as Required - = Non Illustrated Part P.A.R. = Paint as Required